

Product Overview



LVLBY43-XX-YY-ZZ
LVLBY43 Spec Sheet

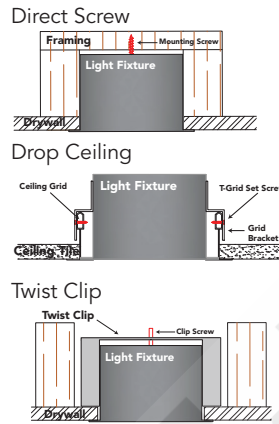


Our **LVLBY43** LED Light Fixture is perfect for use in commercial or residential areas. Our **LVLBY43** is a 4 inch wide line-voltage recessed linear LED light fixture capable of holding high output strips, making it suitable for a wide variety of linear lighting applications and an excellent solution for lighting garages, warehouses, or industrial lighting. With a slight flange, this fixture can be seamlessly recessed into any surface with at least 3" of depth while hiding any imperfections in the mounting surface. Our **LVLBY43** features an integrated driver that allows one to plug the fixture directly into the line-voltage power source of the location. This fixture is available in standard sizes ranging from 24"-96" ***custom sizes available upon request*** as one continuous run, or in longer runs which can be achieved through linkable or custom configurations.

Features

- **120-277VAC** or **347VAC** Input
- Standard >80 CRI, CRI>90 available!
- Flange **conceals** any rough cuts in wood and drywall
- 0-10V Dimmable (With Dimmable Driver)
- Ultra Long Lifetime (70,000+ Hours)
- UL-Listed
- **5-Year Warranty**

Mounting Options



Available Colors

3000K

Warm White

4000K

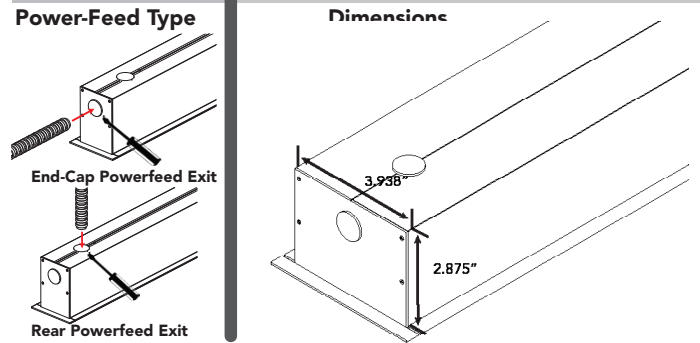
Natural White

5000K

Bright White

Quick Specs

Sizes	From 24"-90" (Linkable For Long runs)
Input Voltage	120-277 or 347VAC
Power Output	Power Output Per Size 2ft: 28W 4ft: 55W 6ft: 83W 8ft: 104W
Light Output	Lumen Output Per Size 2ft: 2,486 4ft: 4,972 6ft: 7,458 8ft: 9,944
Efficiency (lu/W)	90 Lumens/Watt
Lifetime	50,000+ Hours (L-50)
Environment	Suitable for Dry or Damp Locations



LVLBY43 -



SO: 1,243 lu/ft

24: 2ft
46: 4ft
68: 6ft
90: 8ft

WW: 3000K
NW: 4000K
BW: 6000K

Mount Type
A: Direct-Screw
B: Drop-Ceiling
C: Twist-Clip

Power Entry
A: Rear
B: End-Cap

