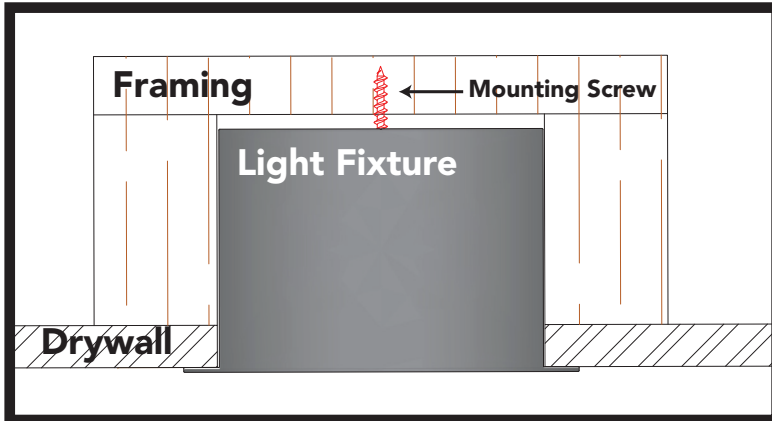


# Mounting Options



## Line Voltage Recessed Light Fixtures

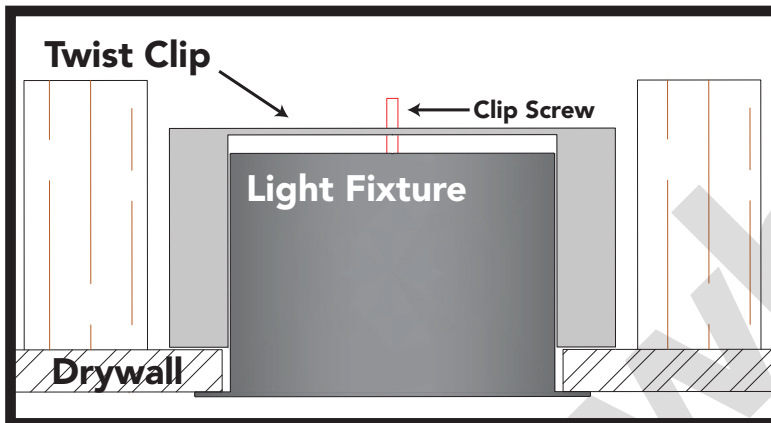
Standard Mounting Configurations



### Direct Screw Installation (Recommended)

Use for Solid Ceilings  
Secure to framing for Drywall Ceilings

Fixture comes with factory made mounting holes that are used to fasten fixture to framing or solid ceiling.

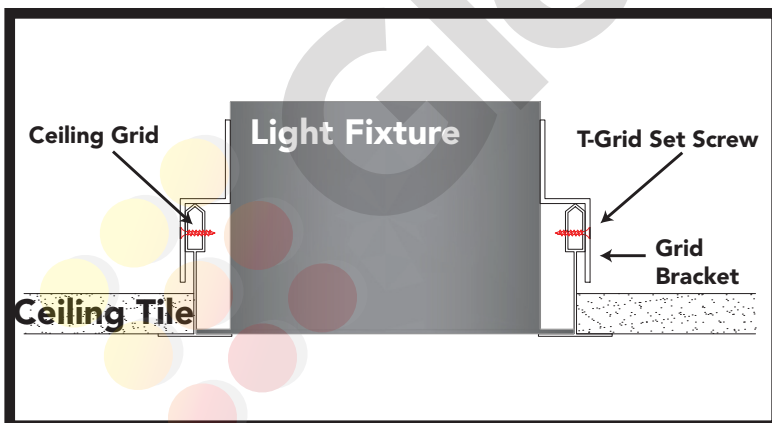


### Twist-Clip Installation

Only for use in Drywall Ceilings

"Twist Clips" are used to recess light fixture in drywall. Clips are inserted in a closed position (hugging the side-body of the fixture housing). Then engaged with a screw driver once inserted into the slot.

Tightening screw opens clip behind drywall and secures fixture in place.



### Drop Ceiling Installation

Use for any drop ceiling grid.

Fixture comes with a "grid bracket" that can either be adjusted or specified to your grid style before ordering (recommended).

Fixture is secured to grid using set-screw.

**GlowbackLED®**

16409 NW 8<sup>th</sup> Ave

Miami Gardens, FL 33169

1-800-679-4902 • info@bluegateinc.com

GlowbackLED® is a registered trademark of Bluegate Inc  
©2018 Bluegate Inc. All Rights Reserved  
Specifications subject to change without notice

