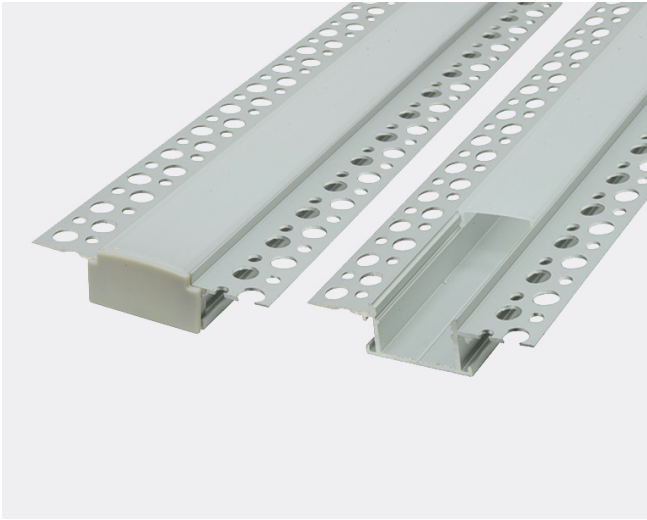


PRODUCT OVERVIEW



For simple and seamless designs in modern architectural projects, our Aluminum Profile "DT3" is a perfect solution. With integrated plaster bead along the flanges, Aluminum profile "DT3" can be easily recessed into any surface with a depth of at least 0.40" without showing any flanges or rough finishes. Aluminum Extrusion "DT3" can Accommodate any LED strip up to 0.80" (20mm) wide and dissipates heat from the strip, extending its longevity while also protecting it from the elements. Aluminum extrusion "DT3" is conveniently sold in 8ft lengths as a completed kit including a pair of end-caps, and one premium polycarbonate, UV-resistant frosted lens. Order today to discretely accent your projects!

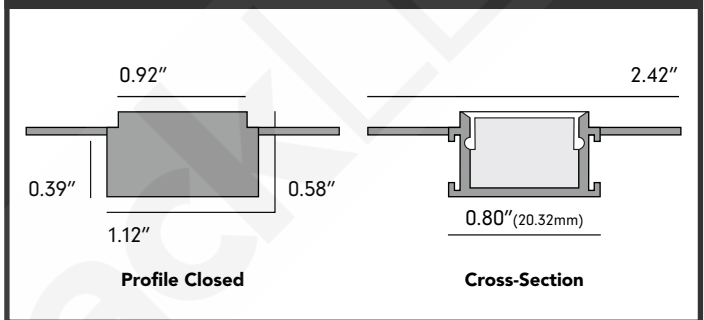
Features

- Plaster-in profile creates seamless finish.
- Upwards Facing Corner Design.
- Cuttable using any standard miter saw.
- Achieve **DOTLESS** Lighting.
- Simple Installation.
- Miami, FL facility.

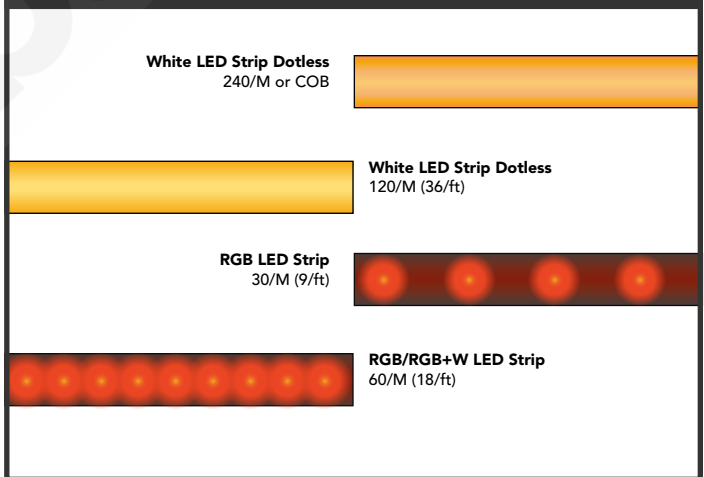
Specifications

Part#	ALUMDT3-96
Length	8ft (94" for free shipping*)
Width	1.12" (28.4mm) 0.92" Light Aperture
Height	0.58" (14.7mm)
Inner Width	0.80" (20.32mm)
Recess Cavity	0.39" (9.9mm)
Lens Type	Frosted
MAX Light	3 Watts/ft (recommended)

Dimensions



Dots



Mounting Options

