

PRODUCT OVERVIEW



IP-67

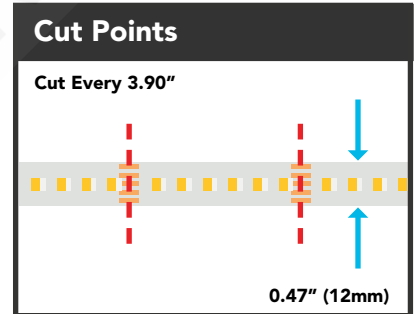
The answer to the low-quality, blueish white light that is normally created by RGB LED strips is here. Our Vivid-Color and True White RGBW LED Strip features a powerful 4-in-1 chip package. Create millions of different colors using the red, green, and blue chips, yet produce true, vivid white through the premium, phosphor coated white chip. Easily cut, peel, and stick the flexible RGB+W light tape to your mounting surface using the durable **3M® adhesive backing**. Achieve a long lifetime of useful RGB and true white LED lighting when used with one of our aluminum profiles for LED strips to draw out the heat and protect the strips from damaging elements. Our **24V RGBW CS5060** LED strip is specifically designed for high-quality, permanent installations with an IP-67 rating that makes this suitable for **outdoor, weather-proof** lighting installations.

The **24V RGBW CS5060** LED Strip comes in a **16'5" roll/reel** and is 0.47" (12mm) wide. 5050 LED chips are mounted on a flexible PCB every 0.63" apart. The full LED strip spool has 300 LEDs packed in a medium-density—**18 LED/ft (60/M)**—configuration. The LED strip comes with **(1) 6" 18-5 wire lead** with bare, tin-coated ends, for fast and reliable wire-to-wire connections. This LED Strip can produce millions of different colors and **true, 6500K white** through a **controller**. The **24V RGBW CS5060** LED Strip consumes an average of **6 Watts/ft** (90 Watts total). Effortlessly cut this LED strip every 3.90" (or every 6 LED chips). This IP-67 Rated strip features a **silicone sleeve**, making it suitable for outdoor use.

Strip Specifications	
Part#	24VCS5060RGBWIP67*
Roll Length	16'5" (197")
Input Voltage	24VDC
Strip Width	0.47" (12mm)
Cut Increments	Cuttable every 3.90"
Color Rendering	>90 (White Light)
LED Type	Commercial Grade 5050 60/M
LED Density	30 LED's per foot (96/M)
Wattage	7 Watts/ft
Light Output	256 lumens (200 lumens/foot)
Efficiency	N/A
Lifetime	50,000 Hours (Average)
Warranty	3-Year Limited Warranty
IP-Rating	IP-67 (Suitable for Outdoor Use)
Listings	UL-Listed (US and Canada)

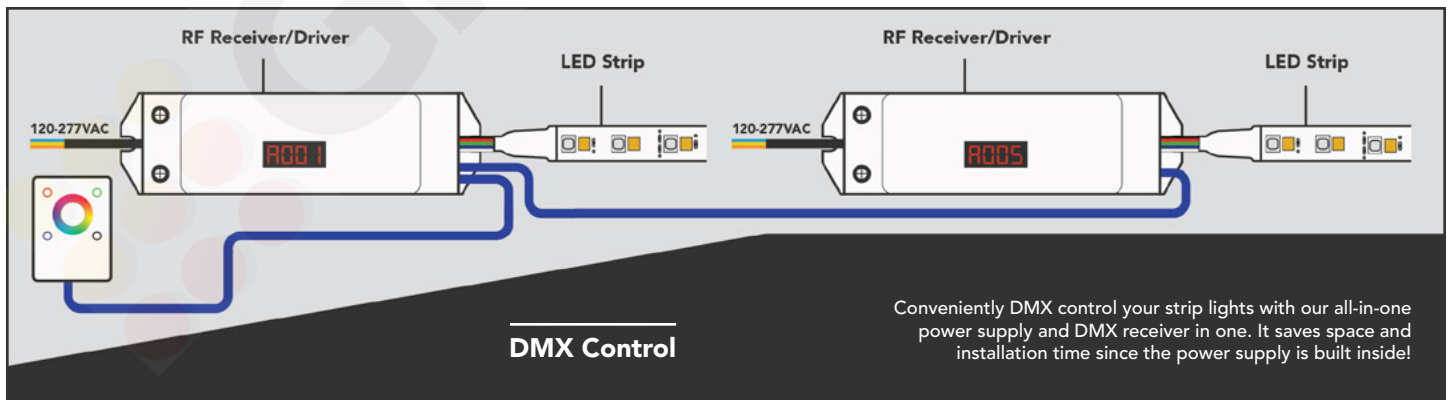
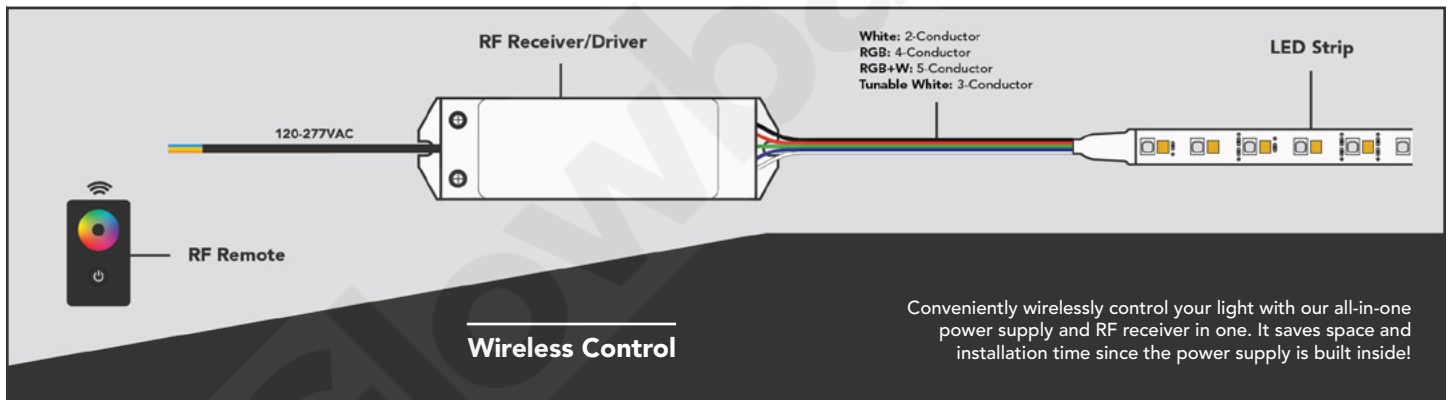
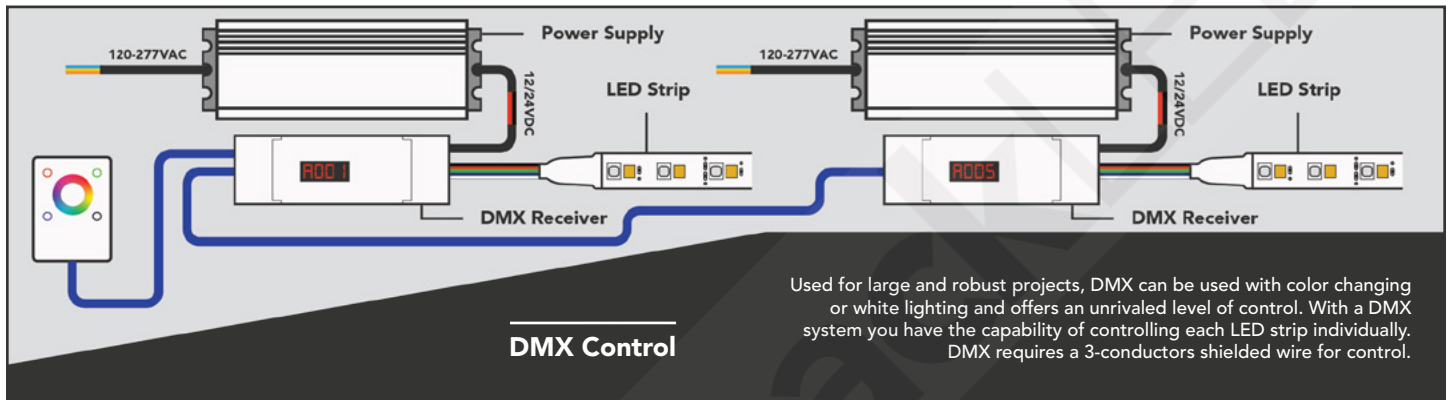
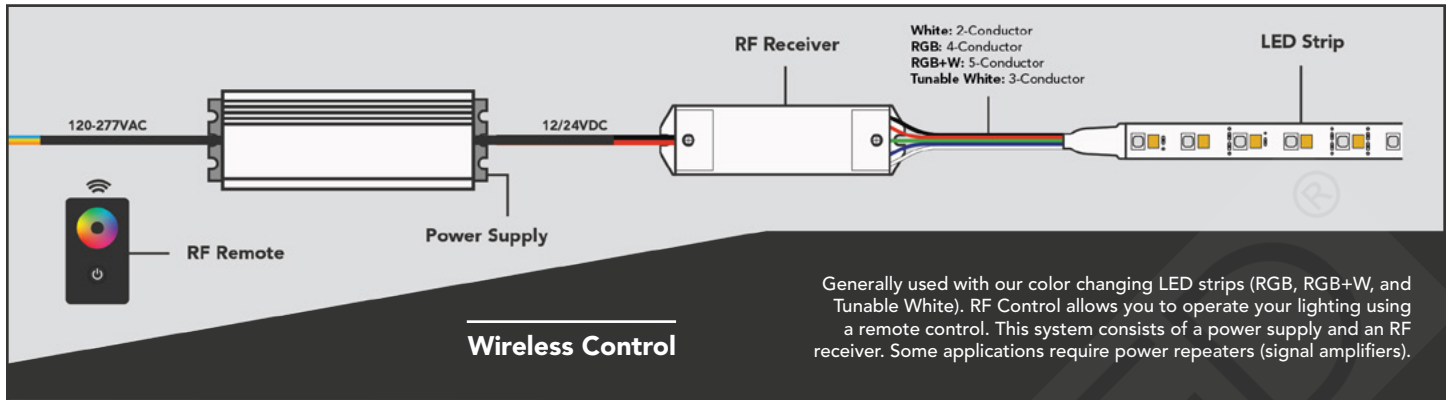
Available Colors

Color Changing + Bright White



Features

- **Medium-Density** LED Strip Lighting (18/foot or 60/M).
- **Fully Dimmable and Controllable (Requires Controller to operate).**
- **IP-67 Rated** | Use for outdoor installations. Suitable for wet environments.
- Consumes 6 Watts/ft at 24VDC.



All of our LED Panels require a remote power supply and/or controller to operate. Seamlessly integrate our LED Panel systems with any type of home or building automation system. Unless otherwise specified, all LED Panel systems, including power supplies and controllers are shipped to you pre-configured, to facilitate installation. Power-Supplies will come "rigged" with connectors to match the connectors coming off the LED panels. When ordering, simply give us some details about the level of control that you want, and our team will design a turn-key control system fit to meet your needs.