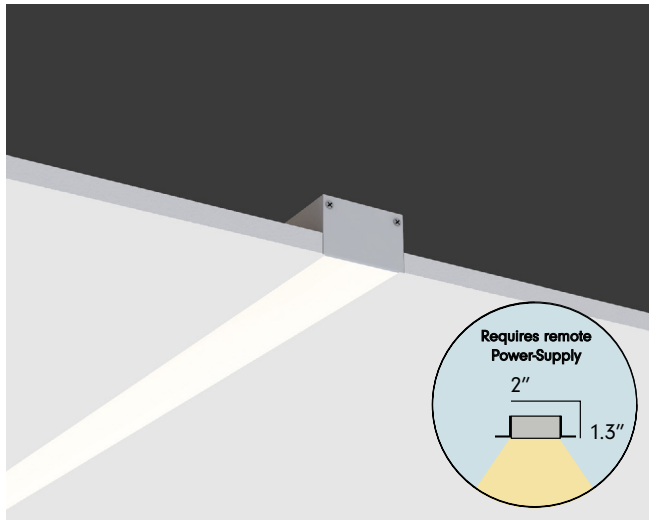


# Linear LED Fixture Spec Sheet



Our **LVLBY2T** is a sleek and attractive, **high output 2 inch wide recessed trim-less ("mud-in/over") architectural linear light**. It is capable of delivering **350 or 700 lumens per foot** and can be used for general lighting applications in residences, offices, schools, hotels, and restaurants. Our **LVLBY2T** features an integrated plaster-bead that allows one to sand and finish right up to the diffuser creating a sleek and clean look with no visible trim. It is a low-voltage fixture, meaning that it only requires **1.3" of clearance** (vs the 3 inches needed for fixtures with internal power supplies). It is also sold in **custom sizes** ranging from 1-8ft [See size ranges below, enter size in product page]. Our **LVLBY2T** can be customized to meet your needs (Contact-Us for Custom Configurations: RGB, RGBW, Tunable White, Custom Shapes).

## Features

- **12VDC or 24VDC** Input.
- **350 or 700 lumens per ft.**
- No Visible Flange when Finished.
- 0-10V **Dimmable** (with Dimmable Driver).
- 90+ **CRI** Standard, 95+ available.
- High Quality Look and Build.
- Made in the **USA** Quick Ship!
- **UL-Listed.**

### Typical Lumen Table

Product Size	SO	HO
2ft	529 LM / 10W	1,058 LM / 19W
4ft	1,013 LM / 18W	2,026 LM / 36W
6ft	1,498 LM / 26W	2,995 LM / 52W
8ft	1,982 LM / 35W	3,964 LM / 69W

\*Based on standard sizes with 4000K Color Temperature

### Specifications

\*[XX] denotes color temperature

<b>Part#</b>	LVLBY2T-XX-YY-ZZ
<b>Sizes</b>	2ft, 4ft, 6ft, 8ft, Custom
<b>Input Voltage</b>	12 VDC or 24VDC
<b>Light Output</b>	SO: 265 Lumens/ft HO: 529 Lumens/ft
<b>Efficiency</b>	58 Lumens/Watt
<b>Color Rendering</b>	>90 CRI, >95 CRI
<b>Environment</b>	Dry or Damp Location
<b>Warranty</b>	5-Year
<b>Lifetime</b>	70,000+Hours
<b>Listings</b>	UL-Listed
<b>Dimming</b>	0-10V Dimmable, Phase/TRIAC
<b>Light Distribution</b>	Down Light

### Available Colors

2300K  
Amber White

2700K  
Incandescent White

3000K  
Warm White

4000K  
Natural White

6000K  
Bright White

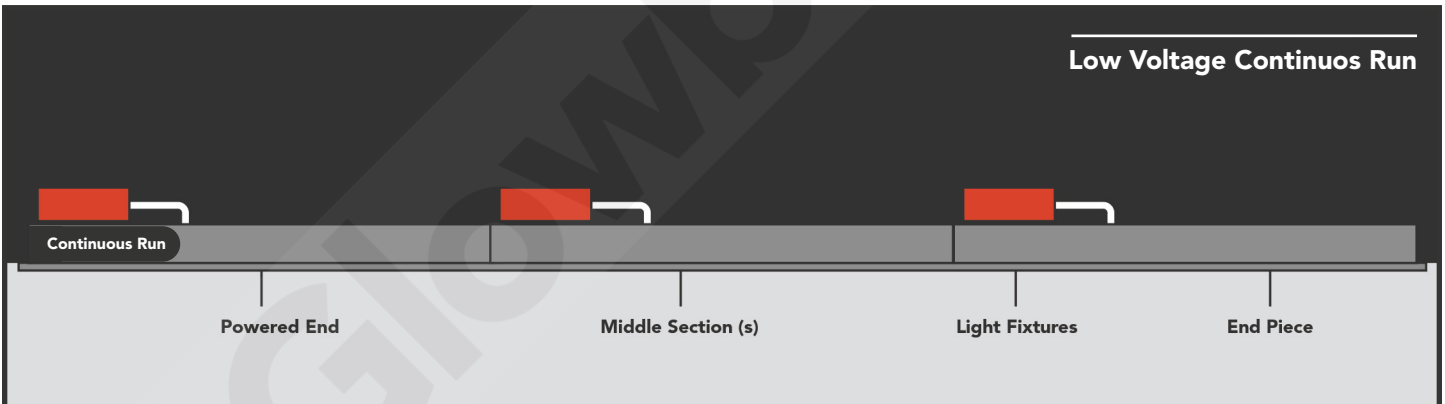
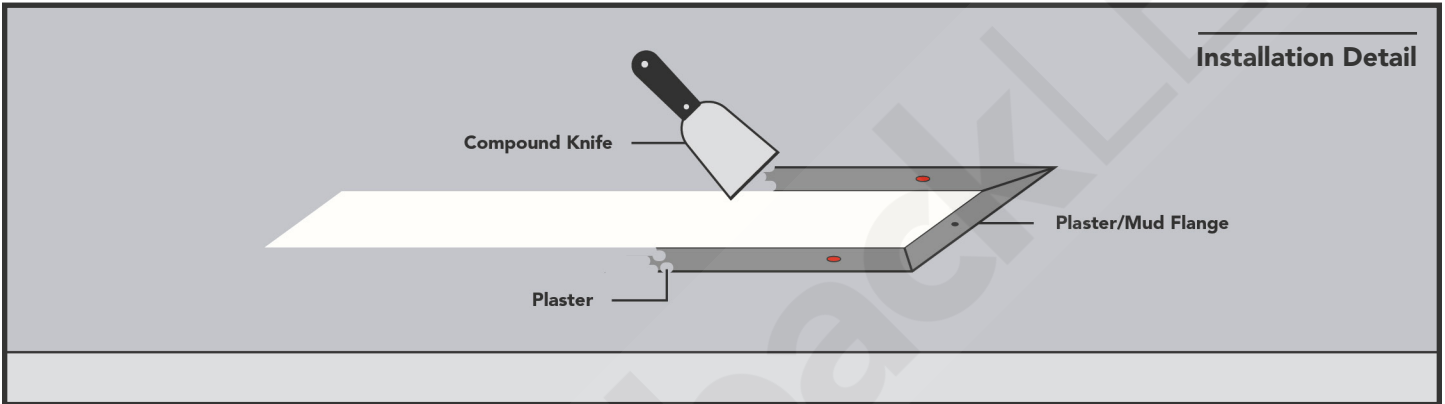
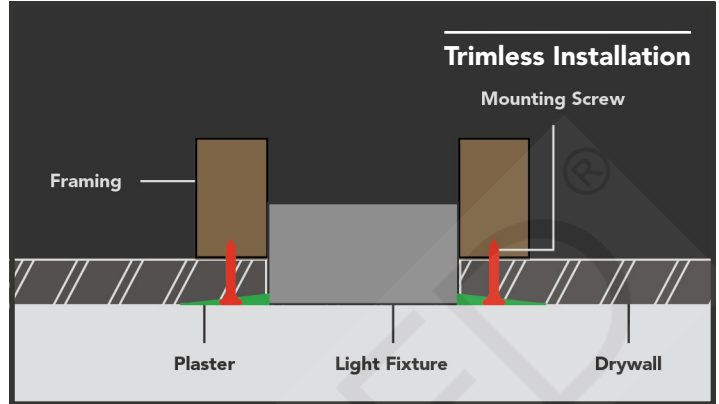
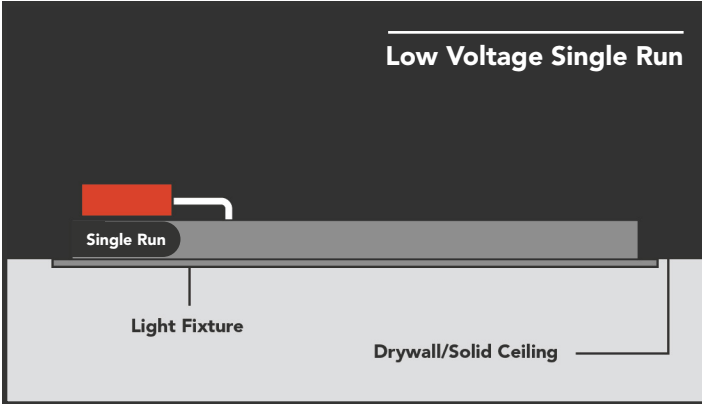
CCT  
2700K - 6000K  
Tunable White

RGB + 2700K  
Color Changing +  
Warm White

RGB + 6000K  
Color Changing +  
Bright White

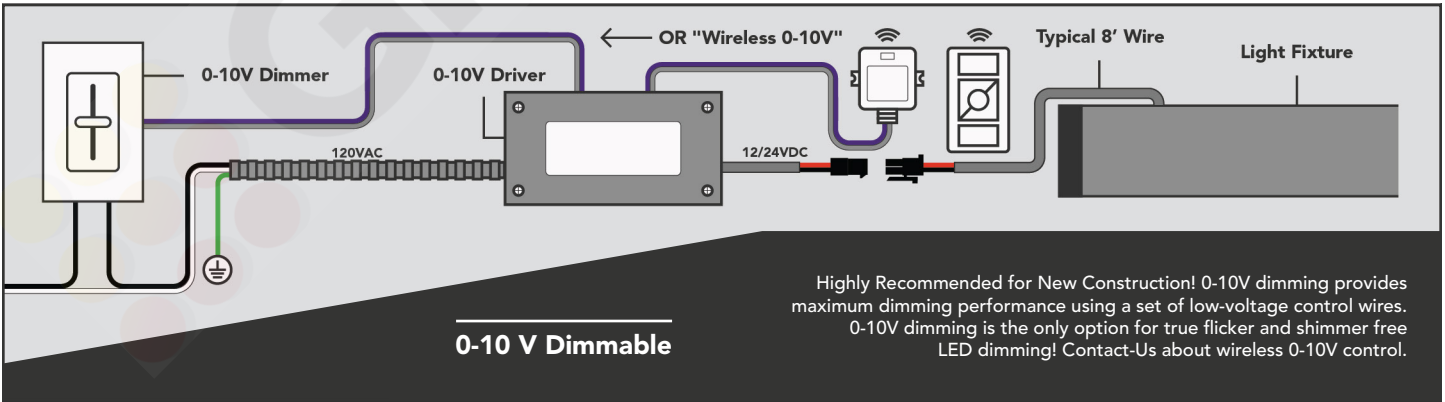
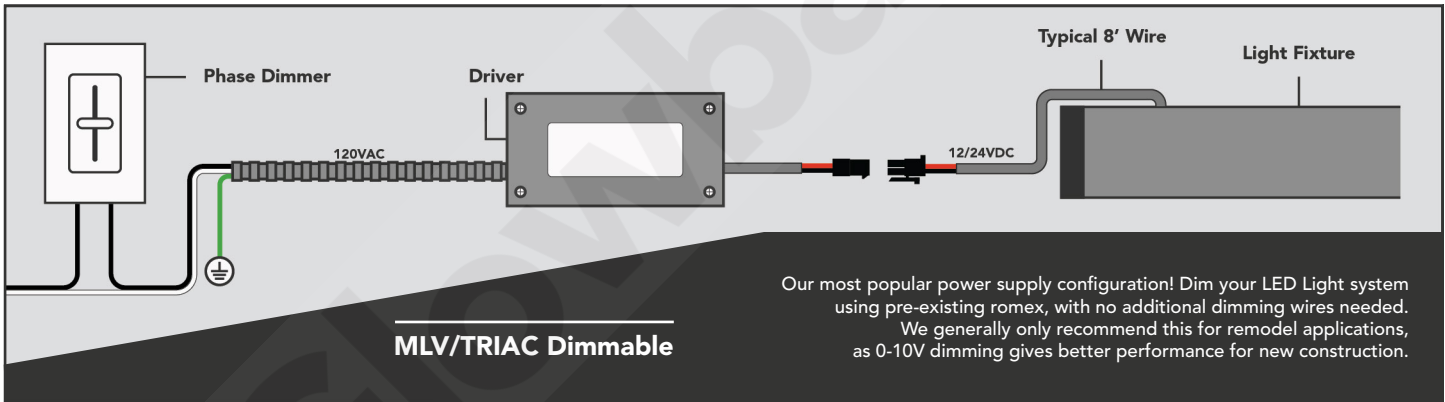
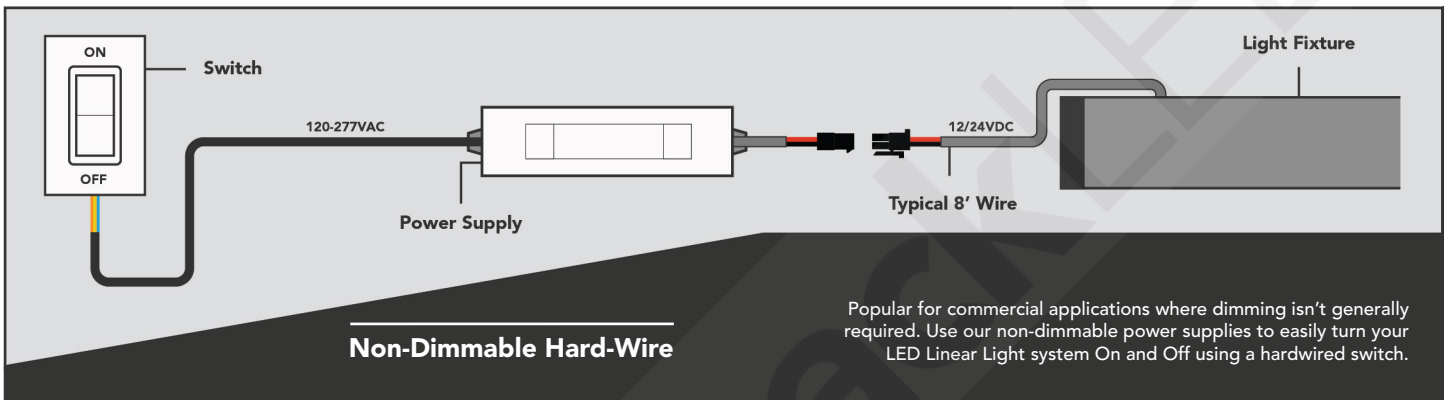
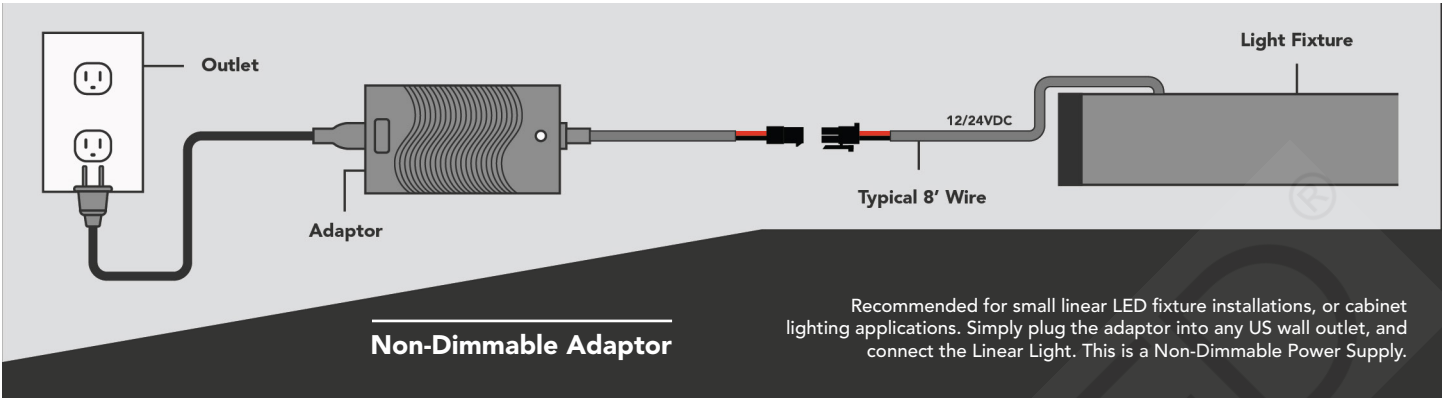
\*Custom Available Upon Request

### Light Distribution

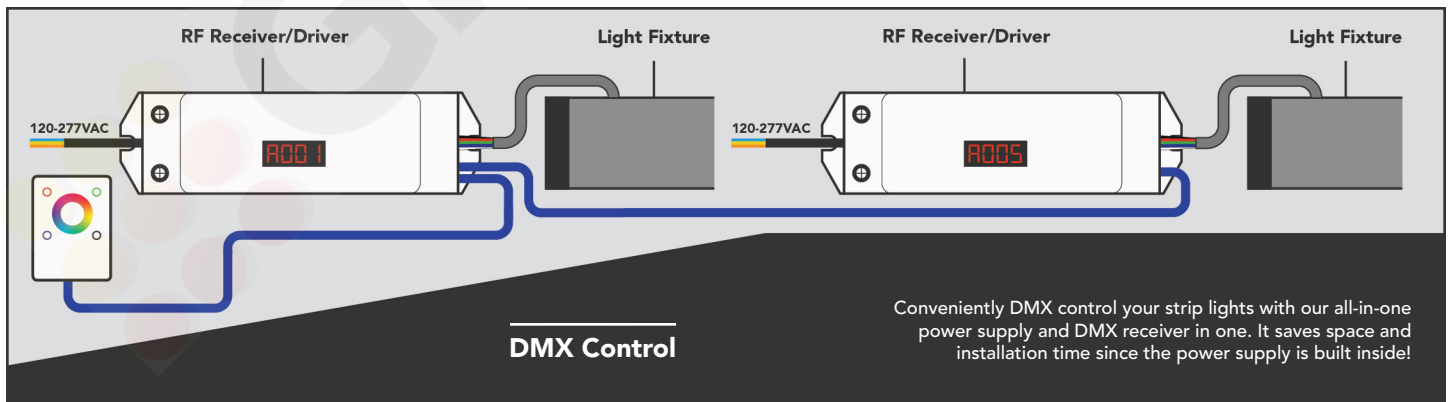
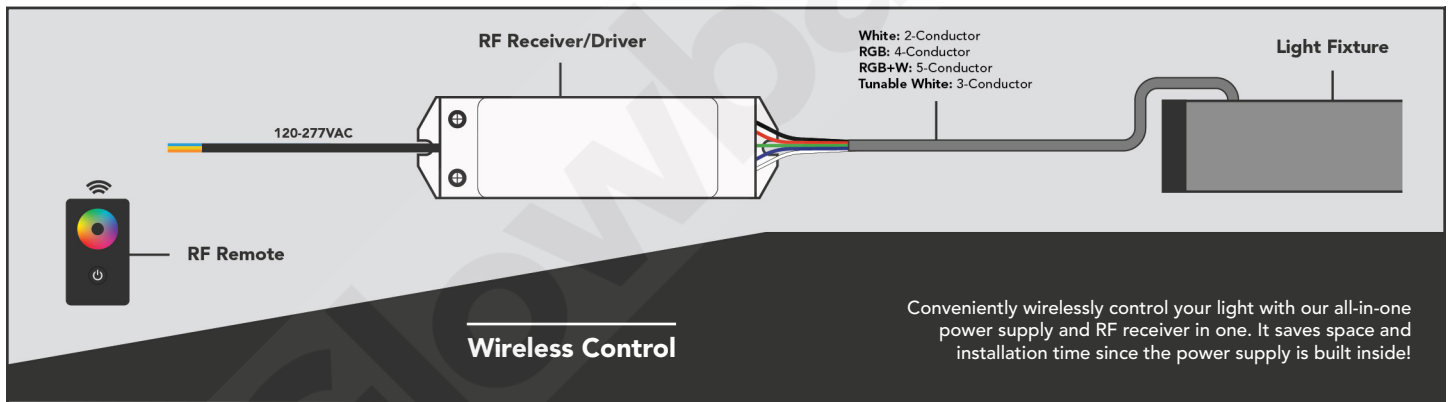
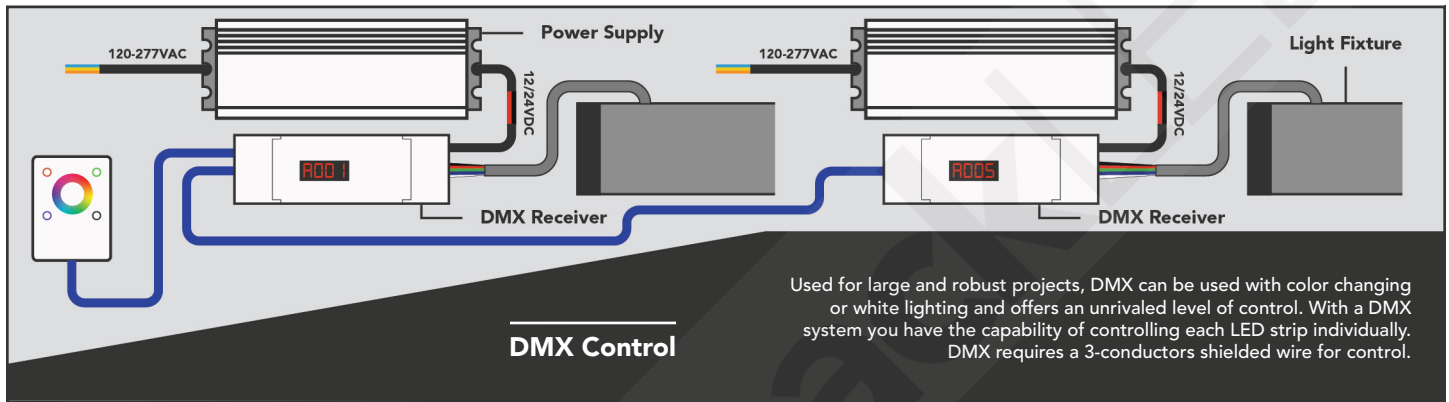
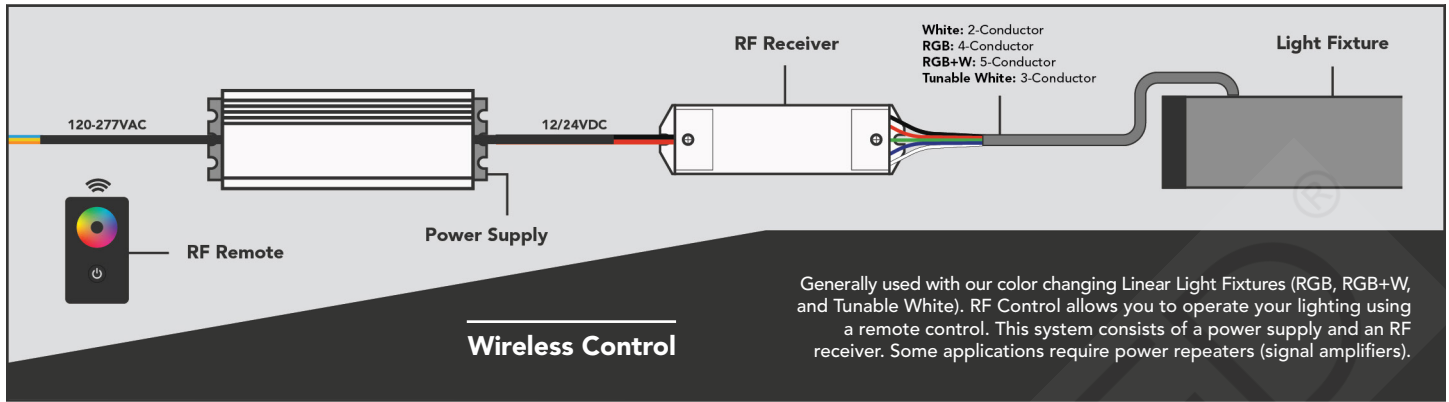


Standard Shapes			Custom Shapes				
L Configuration	Rectangle/Square Configuration	U Configuration	X Configuration	T Configuration	Hexagon Configuration	Triangle Configuration	Linear Abstract Configuration

\*More custom shapes are available upon request



All of our LED Panels require a remote power supply and/or controller to operate. Seamlessly integrate our LED Panel systems with any type of home or building automation system. Unless otherwise specified, all LED Panel systems, including power supplies and controllers are shipped to you pre-configured, to facilitate installation. Power-Supplies will come "rigged" with connectors to match the connectors coming off the LED panels. When ordering, simply give us some details about the level of control that you want, and our team will design a turn-key control system fit to meet your needs.



All of our LED Panels require a remote power supply and/or controller to operate. Seamlessly integrate our LED Panel systems with any type of home or building automation system. Unless otherwise specified, all LED Panel systems, including power supplies and controllers are shipped to you pre-configured, to facilitate installation. Power-Supplies will come "rigged" with connectors to match the connectors coming off the LED panels. When ordering, simply give us some details about the level of control that you want, and our team will design a turn-key control system fit to meet your needs.

Master Product Code Builder	
Prefix	LVLB
Profile	P2T
Output	
265 Lumens/ft	SO
529 Lumens/ft	HO
Size	
2ft	24
4ft	46
6ft	68
8ft	90
Custom	enter in inches
Continuous	CR
Custom Shape	CS
Color	
2300K	AW
2700K	IW
3000K	WW
4000K	NW
6000K	BW
Custom	enter CCT value
RGB+6000K	RGBW
RGB+2700K	RGBWW
Tunable White	CCT
CRI	
80+	leave blank
90+	90
95+	95
Mount Type	
Direct Screw	A
Voltage	
12VDC	leave blank
24VDC	24
Dimming/Control	
0-10V	leave blank
Phase/TRIAC	TRIAC
DMX	DMX
Emergency	
None	leave blank
EM Back Up	EM* 4ft min for EM
Run Type	
Single	leave blank
C/R Powered End	CRP
C/R Middle	CRM
C/R End Piece	CRE
NA	leave blank
Shapes	
NA	leave blank

Controller and Power Supply Options		
Non-Dimmable Adaptor	24V 36W	24V36WAPT
	24V 60W	24V60WAPT
Non-Dimmable Hardwire	24V 36W	24V36WHOD
	24V 96W	24V4ALP13
Phase Dimmable	24V 30W	MUD24V30W
	24V 60W	MUD24V60W
	24V 96W	MUD24V96W
	24V 192W (2 x 96W)	MUD24V192W
	24V 288W (3 x 96W)	MUD24V288W
0-10V/Triac Dimmable (All-in-One)	24V 60W	M01024V60W
	24V 96W	M01024V96W
	24V 192W (2 x 96W)	M01024V192W
	24V 288W (3 x 96W)	M01024V288W
	24V 384W (4 x 96W)	M01024V384W
Non-Dimmable Hardwire for RF/DMX	24V 96W MeanWell	MWHLG100H24A
	24V 150W* MeanWell	MWHLG150H24A
RF Receiver and Remotes	RF Receiver (12-24V Input)	BG1009FA
	Power Repeater (12-24V Input)	BG3002
DMX Receivers	DMX Receiver (12-24V Input)	BG2108FA-4CH
	DMX Receiver (12-24V Input) w/ XLR and RJ45 Connectors	BG2108A-M5-5
All-In-One Built in Power Supply Receivers	RF Receiver (100-277VAC Input) 96W	BG1009FA-96CVF-24
	DMX Receiver (100-277VAC Input) 96W	BG2108-96CVF-24
DMX Controllers	Single Zone RGB/RGBW Touch Panel	BG2812B
	3-Zone RGB/RGBW Touch Panel	BG2812-3(W)
	Programmable Single Zone Nicolaudie Stick GU2	STICKGU2
	Programmable Single Zone Nicolaudie Stick CW4	STICKCW4
	Programmable 10 Zone Nicolaudie Stick DE3	STICKDE3

**Project Name**  
  
**Ordering Form**

QTY	LVLBY2T	Output	Size	Color	CRI	Mount Type	Voltage	Dimming/Control	Emergency	Run Type	Shapes	Project Fixture Type
	LVLBY2T	50	90	WW	90	A						ST-5
	LVLBY2T											
	LVLBY2T											
	LVLBY2T											
	LVLBY2T											
	LVLBY2T											
	LVLBY2T											
	LVLBY2T											
	LVLBY2T											
	LVLBY2T											
	LVLBY2T											
	LVLBY2T											
	LVLBY2T											
	LVLBY2T											
	LVLBY2T											
	LVLBY2T											
	LVLBY2T											
	LVLBY2T											
	LVLBY2T											
	LVLBY2T											
	LVLBY2T											
	LVLBY2T											
	LVLBY2T											
	LVLBY2T											
	LVLBY2T											
	LVLBY2T											
	LVLBY2T											
	LVLBY2T											
	LVLBY2T											
	LVLBY2T											
	LVLBY2T											
	LVLBY2T											

**Custom Configuration Notes**