

Product Overview



BG-2830BDMX-US(W)
Spec Sheet



Our **BG2830BDMX-US(W) DMXPRO CCT Controller**, is an **architectural grade** DMX512 & RDM glass touch panel controller capable of supporting universal DMX protocols. Made with high strength glass, our glass touch panel LED controller is a high quality solution for wall mounted colored lighting controls. With an **ultra-sensitive color touch line**, this controller allows for smooth and accurate color temperature selection, and precise brightness control. Use our CCT Touch Panel Controller to control up to 4 zones of Tunable White LED lights, without having to worry about losing any configured settings when powered off. With **integrated WiFi**, one has the option of controlling the desired lights through a mobile device. Conveniently send DMX signal to a DMX Decoder, and send power to the controller using the easy screw-in wire terminals. Our **DMXPRO** touch line controller offers unmatched versatility and premium quality to achieve projects with precise customized controls.

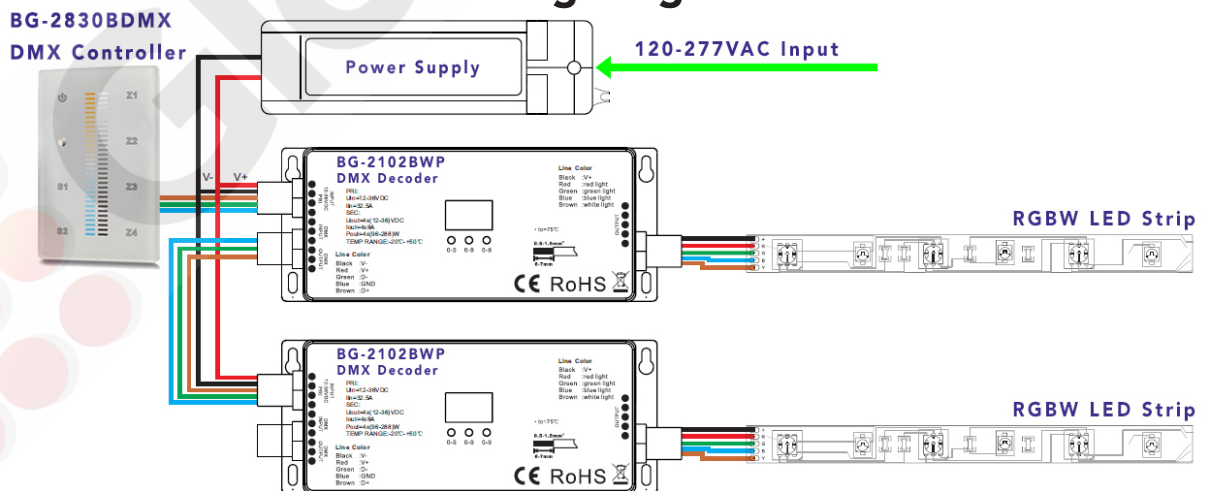
Quick Specs

Product Code	BG-2830BDMX-US(W)
Dimensions	4.7" L 2.9" W 1.6" H
Wiring Terminals	Screw-in
Input Voltage	12-24VDC
Channels	Up to 4 Channels
Zones	Up to 4 Zones
Warranty	3-Year Limited Warranty
Environment	Indoor/Damp Location
Listings	UL Recognized Component

Features

- **High-Quality** Glass Finish
- **4-Zone** Controller
- **Smooth Dimming**
- **Ultra-Sensitive** Touch Line
- Compatible with Tunable White Lighting
- **Set** Linear or Logarithmic Dimming
- **RF Functionality** allows for use with remote
- **Save** up to 3 scenes
- **Integrated WiFi** for Mobile Control

Wiring Diagram



GlowbackLED®
16409 NW 8th Ave
Miami Gardens, FL 33169
1-800-679-4902 • info@bluegateinc.com

GlowbackLED® is a registered trademark of Bluegate Inc
©2018 Bluegate Inc. All Rights Reserved
Specifications subject to change without notice

