

Product Overview



BG2108-24-96W-CVF
Spec Sheet

DMXPRO



Our **BG2108-24-96W-CVF DMXPRO** Receiver, is an **all-in-one architectural grade** constant voltage DMX decoder and driver capable of supporting universal DMX protocols, eliminating the need for a separate power supply. With integrated RDM functionality, our all-in-one decoder and driver allows one to re-address the decoder using the digital display buttons on the face of the receiver, or through an RDM capable controller. Through the buttons and **digital display** on the receiver numerous settings can be adjusted in order to achieve the best solution for the desired project, including PWM output frequency, PWM output resolution, and selecting from linear or logarithmic dimming. This receiver is capable of handling up to **4 channels**, meaning that one can assign a DMX address to most types of LED Lighting Fixtures. From standard white fixtures, to RGB or RGB+W, or Tunable white lights. Our **DMXPRO** all-in-one receiver and decoder offers unmatched convenience and power to achieve custom vivid color changing lighting from a compact housing.

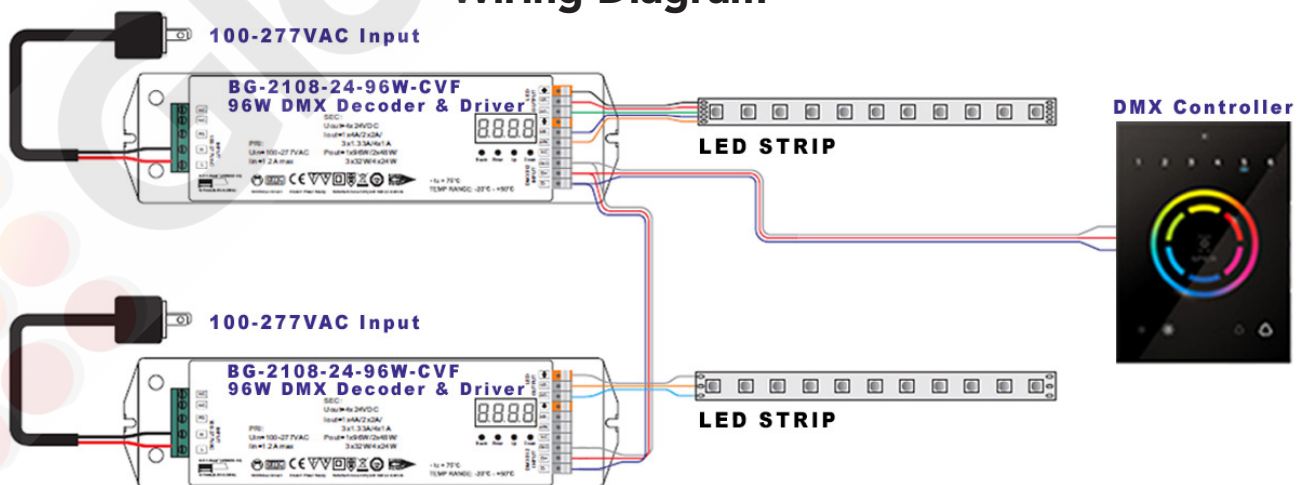
Quick Specs

Product Code	BG2108-24-96W-CVF
Dimensions	9.6" L 2.5" W 1.3" H
Wiring Terminals	Wire-in
Input Voltage	100-277VAC
Output Voltage	24VDC
Channels	4 Channels, 4A Per Channel
Output Power	96W
Warranty	3-Year Limited Warranty
Environment	Indoor/Damp Location
Listings	UL Recognized Component

Features

- Universal Voltage input
- **4x 4A Channels**
- **Adjustable GAMMA** Ray Dimming Curve Values
- **Smooth Dimming** down to 0.1%
- Set Linear or Logarithmic Dimming
- **Bi-Directional** Communication (RDM)
- Optional adjustable decoding modes
- Remembers configuration prior to being turned on

Wiring Diagram



GlowbackLED®
16409 NW 8th Ave
Miami Gardens, FL 33169
1-800-679-4902 • info@bluegateinc.com

GlowbackLED® is a registered trademark of Bluegate Inc
©2018 Bluegate Inc. All Rights Reserved
Specifications subject to change without notice

