

Product Overview



BG2108FA-RJ45-DIN
Spec Sheet

DMXPRO



Our new **BG2108FA-RJ45-DIN DMXPRO** Receiver, is an **architectural grade** DIN Rail mounted DMX512 & RDM Decoder capable of supporting universal DMX protocols. With integrated RDM capabilities, our **DMXPRO** Decoder allows one to re-address the decoder using an RDM capable controller or the digital display buttons. In order to achieve the best solution for the desired project, choose from different setting options including PWM output frequency, PWM output resolution, and selecting dimming curves. Conveniently send signals to multiple DMX Decoders and to a controller using the integrated RJ-45 Ports, or wire-in terminals. Our **DMXPRO** Decoder is capable of handling up to **4 channels**, offering unmatched versatility and premium quality to achieve vivid color changing lighting projects with customized controls.

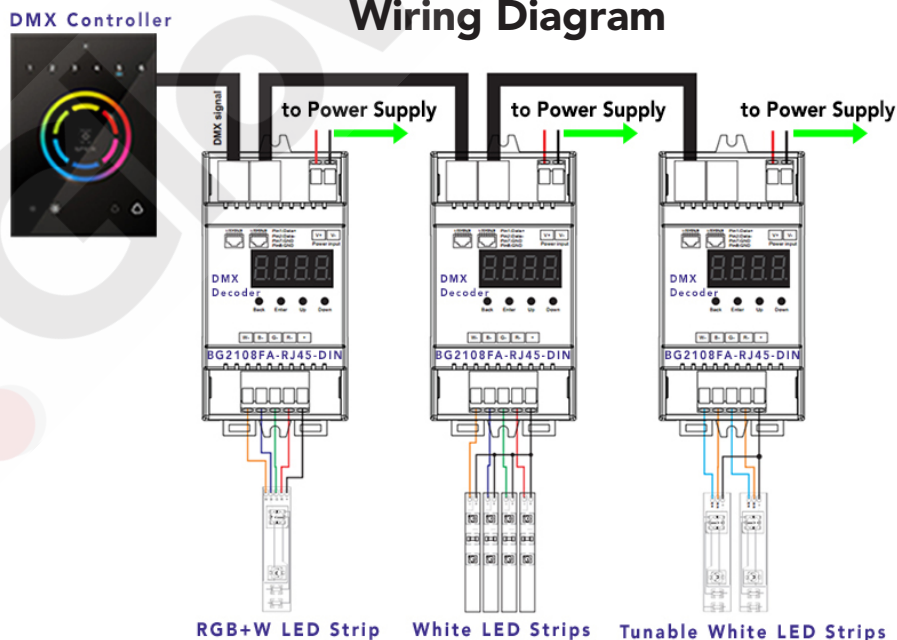
Quick Specs

Product Code	BG2108FA-RJ45-DIN
Dimensions	4.3" L 2.6" W 2.1" H
Wiring Terminals	Wire-in, RJ-45
Input Voltage	12-36VDC
Channels	4 Channels, 5A Per Channel
Output Power	4x 60-180W PWM Control
Warranty	3-Year Limited Warranty
Environment	Indoor/Damp Location
Listings	UL Recognized Component

Features

- **Digital Display**
- **4x 5A Channels**
- **Multiple Dimming Curve** Settings Available
- **Compatible with** White, RGB, and RGB+W Lighting
- Set Linear or Logarithmic Dimming
- **Integrated** RJ-45 Ports
- **Bi-Directional** Communication (RDM)
- Optional adjustable decoding modes
- **DIN** Rail Mounted
- **Easy-Wire** Terminals

Wiring Diagram



GlowbackLED®
16409 NW 8th Ave
Miami Gardens, FL 33169
1-800-679-4902 • info@bluegateinc.com

GlowbackLED® is a registered trademark of Bluegate Inc
©2018 Bluegate Inc. All Rights Reserved
Specifications subject to change without notice

