

LED Cabinet Bar Spec Sheet



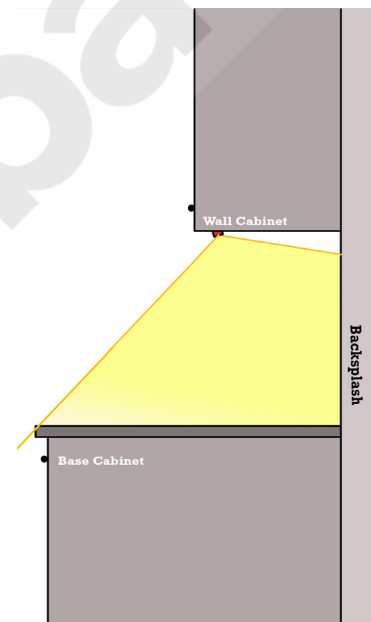
LBII4-YY-ZZ
Cabinet Linear Lighting



Our Linear LED Cabinet Light Bar is specifically designed to achieve perfectly diffused compact surface mounted lighting, making it ideal for all your cabinet, task, and decorative lighting needs. Available in sizes from 11-72", this versatile LED Cabinet Light Bar is compatible with any under-cabinet, over-cabinet, and inside cabinet installation and allows for a simple surface mounted installation. For most customization of the desired illumination surface, our light bar is available in three different color temperatures: Warm White 3000K, Natural White 4500K, and Bright White 6500K. The advanced optics in our LED Cabinet Bar beautifully illuminate your work space evenly— with NO "leakage" of light onto the floor. Install our LED cabinet lighting in minutes using our smart connector system and achieve clean, attractive installations with the clip-less mounting design.

Quick Specs

Part #	LBII4-YY-ZZ
Sizes	11-96"
Input Voltage	24VDC
Light Output	260 lu/ft
Efficiency	80 lumens/Watt
Color Rendering	>80 (CRI over 90 available)
Environment	Suitable for Damp Location
Warranty	5-Year
Lifetime	50,000-70,000+ Hours
Listings	UL Listed
Dimming	Dimmable Options Available



Available Color Temperatures

3000K



Warm White

4500K



Natural White

6500K



Bright White

Bluegate Inc. **GlowbackLED**[®]
16409 NW 8th Ave
Miami Gardens, FL 33169
1-800-679-4902 • info@bluegateinc.com

GlowbackLED[®] is a registered trademark of Bluegate Inc
©2020 Bluegate Inc. All Rights Reserved
Specifications subject to change without notice



LED Cabinet Bar Spec Sheet

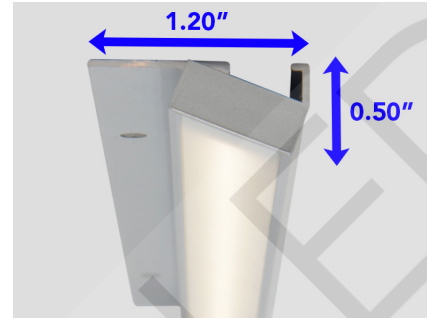


LBII4-YY-ZZ
Cabinet Linear Lighting

Clipless Mounting

The extruded aluminum housing features a clipless mounting track. Simply screw the light bar into your cabinet using provided screws or approved VHB double-sided tape. These fixtures operate at 24VDC and require a power supply/LED driver to operate.

Dimensions



Cabinet Bar Size	Part #	Net Size	Wattage	Lumen Output
11"	LBII411-XX	10.875"	3	240
13"	LBII413-XX	12.75"	3	240
15"	LBII415-XX	14.75"	4	320
19"	LBII419-XX	18.75"	5	400
23"	LBII423-XX	22.625"	6	480
29"	LBII429-XX	28.5"	8	640
36"	LBII436-XX	35.25"	9	720
42"	LBII442-XX	41.375"	11	880
48"	LBII448-XX	47.875"	13	1,040
60"	LBII460-XX	59.5"	16	1,280
72"	LBII472-XX	71.5"	19	1,520

XX= Color Temp Code WW=Warm White 2800-3200K, NW=Natural White 4000-4500K, BW= Bright White 6000-6500K

LED Cabinet Bars come with an 8ft power cord with a connector. Each LED Bar has its own power-feed, but multiple LED Bars can be connected to one driver using our 3-Way, and 6-Way Power Distributors. Extend power feed by 8ft using our 8ft extension cables.



Bluegate Inc. **GlowbackLED**[®]
16409 NW 8th Ave
Miami Gardens, FL 33169
1-800-679-4902 • info@bluegateinc.com

GlowbackLED[®] is a registered trademark of Bluegate Inc
©2020 Bluegate Inc. All Rights Reserved
Specifications subject to change without notice

