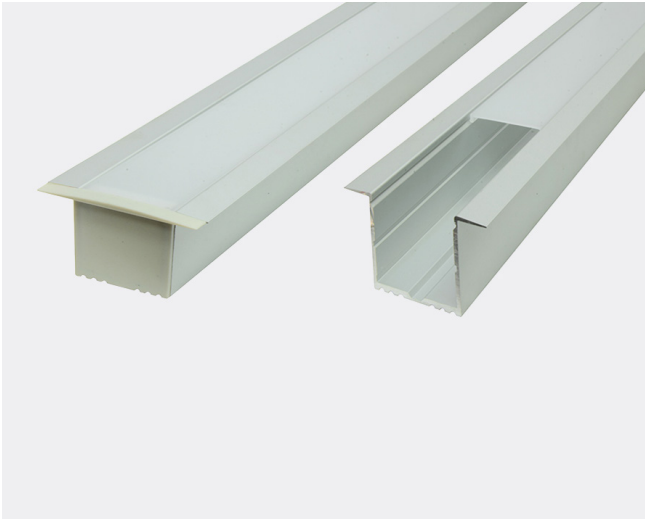


PRODUCT OVERVIEW



Aluminum Profile "Y" is a 1" wide recessed housing for LED strips. It creates a 1" wide aperture of evenly diffused, DOTLESS LED lighting. It features a recessed flange that covers imperfections in drywall cuts. Aluminum Profile "Y" can accommodate any LED strip (single or double row) up to 1.26" (32mm) wide. Extruded from high quality aluminum alloy, this channel maximizes the lifetime of your highoutput LED strips by dissipating the heat. Aluminum Profile "Y" is conveniently sold in 8ft lengths as a completed kit including one pair of end-caps, (3) sets of spring-activated drywall-retaining clips, and a durable premium PC frosted lens (diffuser).

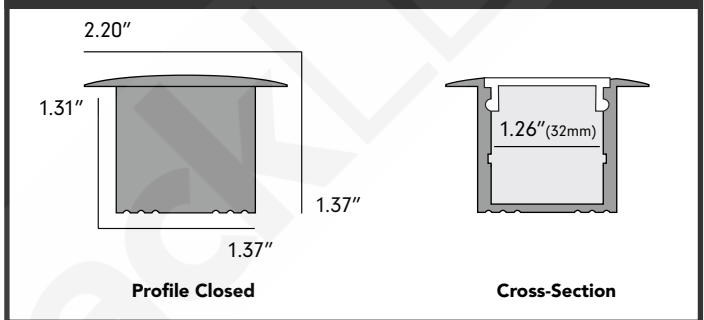
Features

- Creates seamless, 1" wide, recessed lighting.
- Perfect solution for homes, offices, and retail spaces.
- Modern design for high-output lighting.
- Designed for low-voltage LEDs to minimize clearance required over drywall (1.37" depth required).
- Cuttable using any standard miter saw.

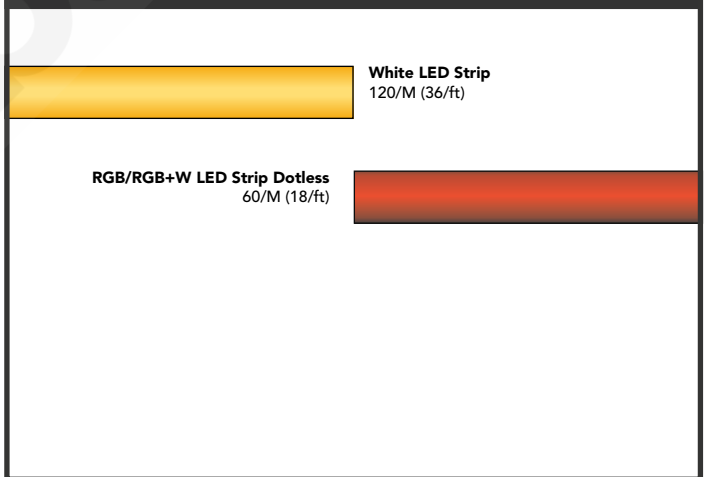
Specifications

Part#	ALUMY-96
Length	8ft (94" for free shipping*)
Width	1.37" (34.8mm) 2.20" w/flange
Height	1.31" (33.3mm) 1.37" w/flange
Recess Cavity	1.37" W x 1.31" D
Lens Type	Frosted or Clear
MAX Light	10 Watts/ft (recommended)
MAX Strip Size	1.26" (32mm)

Dimensions



Dots



Mounting Options

