

## PRODUCT OVERVIEW



Manufactured exclusively for GlowbackLED, Our new **MU01024V60W** is a 24V 60W **5-1 Dimmable** LED Power Supply suitable for powering a wide range of LED strip and linear lighting products. Our **MU01024V60W** can be used with any Phase control dimmers (MLV/ELV) or 0-10V Dimmers. Unlike our older dimmable LED power supplies our **MU01024V60W** delivers flicker-free lighting which can be smoothly dimmed down to 1%. This Dimmable LED Driver features an integrated wiring compartment, allowing one to make clean connections inside of the power-supply with no need for external junction boxes. The slim and compact design makes our MU01024V60W an excellent solution for under-cabinet LED lighting. Last, but certainly not least, our **MU01024V60W** is UL-Listed and ready for use on any commercial LED lighting project.

### Specifications

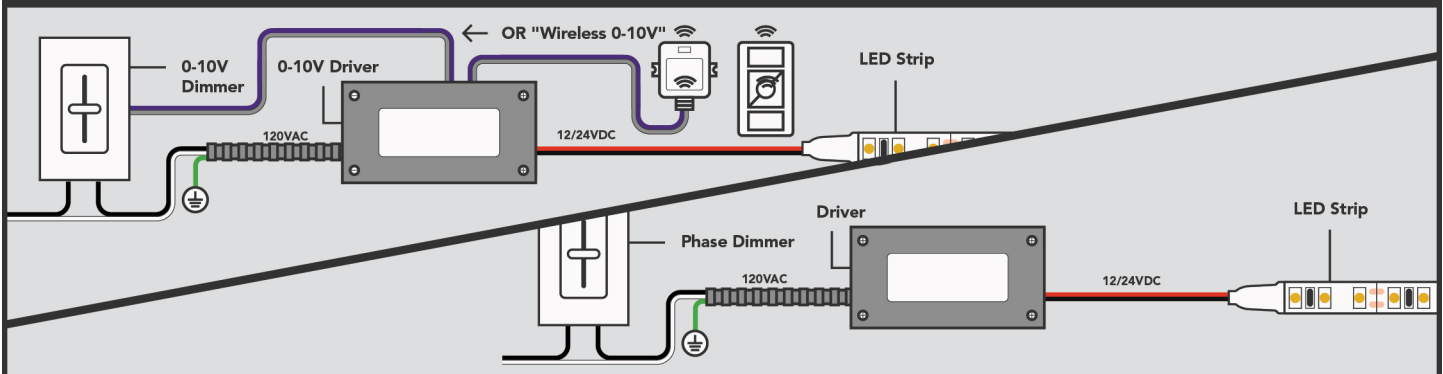
\*[XX] denotes color temperature

<b>Product Code</b>	<b>MU01024V60W</b>
<b>Dimensions</b>	<b>7.4" L x 3.7" W x 1.5" H</b>
<b>Input Voltage</b>	<b>100-277VAC   50/60 HZ</b>
<b>Output Voltage</b>	<b>24VDC</b>
<b>Output Power</b>	<b>60W   2.5A</b>
<b>Input Power</b>	<b>0.9A (MAX)</b>
<b>Power Factor</b>	<b>0.95</b>
<b>Dimming Type</b>	<b>5-1 Dimming (Phase/0 -10 V)</b>
<b>Dimming Range</b>	<b>100%-1%</b>
<b>Minimum Load</b>	<b>6 Watts</b>
<b>Warranty</b>	<b>5-Year Limited Warranty</b>
<b>Environment</b>	<b>Indoor/Damp Location</b>
<b>Listings</b>	<b>UL-Listed   Class-2   Type HL   RoHs  </b>

### Wire Compartment



### Wiring



### Features

- Flicker-Free Dimming. Achieves Consistent and Smooth Light Output.
- **Universal Dimming.** Works with any phase dimming solution. **Phase (TRIAC, MLV, ELV) or 0-10V Systems.**
- **Suitable** for use in **Dry & Damp Locations.**
- Power Cord Attached! **Plug & Play** Ready out of box.
- **Integrated Wiring Compartment:** Make **Clean** Connections inside of the power-supply instead of a junction box!
- **Slim and Compact** Design Allows for Easy Concealing.
- **UL Listed:** Approved for use on any Commercial Project.