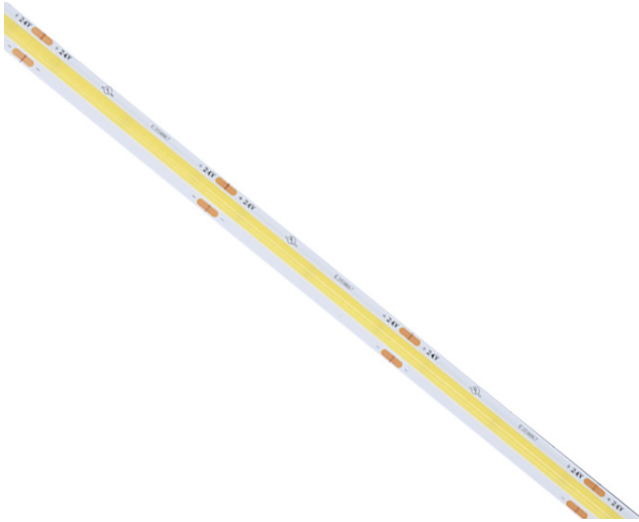


## PRODUCT OVERVIEW



Our **NEW 24V CS06264COB** White LED strip, is our **HIGHEST DENSITY** LED light that features a premium phosphor coating upon the LED chips, creating a completely **DOTLESS** finish in channels of **ANY** depth, and allowing for maximum flexibility. This flexible LED strip allows one to create lasting and headache-free lighting installations right out of the package, and is perfect for creating custom **abstract bendable** LED fixtures. Easily cut, peel, and stick the flexible light tape to your desired mounting surface using the durable and permanent 3M® adhesive backing. Use with our Aluminum LED Channels to ensure the maximum lifetime of your LED Strip. Our 24V White CS06264COB LED Strip comes with the UL-stamp of approval and is **UL-listed** for use in both the United States and Canada (cUL).

The 24V White CS06264COB LED Strip comes in a 16'5" reel and is only 0.31" (8mm) wide. This strip features our highest density —142/ft (473/M)—phosphor and silicon coated LED chips mounted on a flexible PCB, allowing for a completely **DOTLESS** finish in a **versatile and durable** configuration that makes this strip ideal for creating custom shape and abstract LED fixtures. The LED strip comes with (1) 6" 18-2 wire lead with bare, tin-coated ends, for fast and reliable wire-to-wire connections. This LED Strip produces an average of 370 lumens/foot and consumes an average of 3.7 Watts/ft (59 Watts total). Effortlessly cut this LED strip every 1.79".

### Strip Specifications

\*[XX] denotes color temperature

Part#	24CVS06264COBXX*
Roll Length	16'5" (197")
Input Voltage	24VDC
Strip Width	0.31" (8mm)
Cut Increments	Cuttable every 1.79"
Color Rendering	>90 (White Light)
LED Type	COB
LED Density	142 LEDs per foot (473/M)
Wattage	3.7 Watts/ft
Light Output	370 Lumens/ft
Efficiency	100 Lumens/Watt
Lifetime	50,000 Hours (Average)
Warranty	3-Year Limited Warranty
IP-Rating	IP-23 (Rated for Indoor Use Only)
Listings	UL-Listed (US and Canada)

### Available Colors



2700K  
Incandescent White



3000K  
Warm White



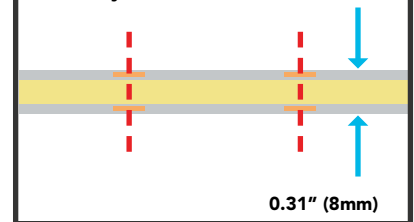
4000K  
Natural White



6000K  
Bright White

### Cut Points

Cut Every 1.79"



0.31" (8mm)

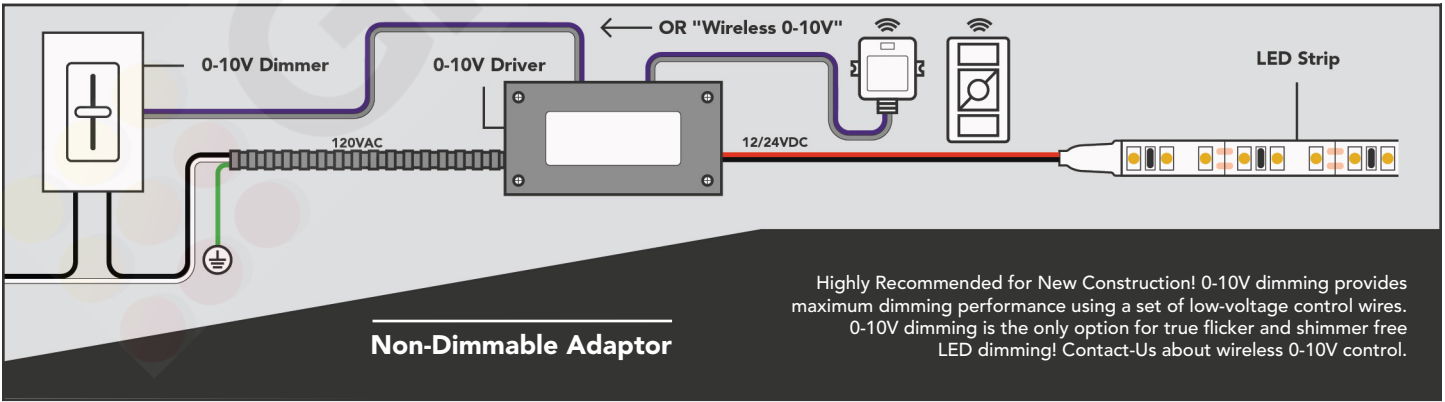
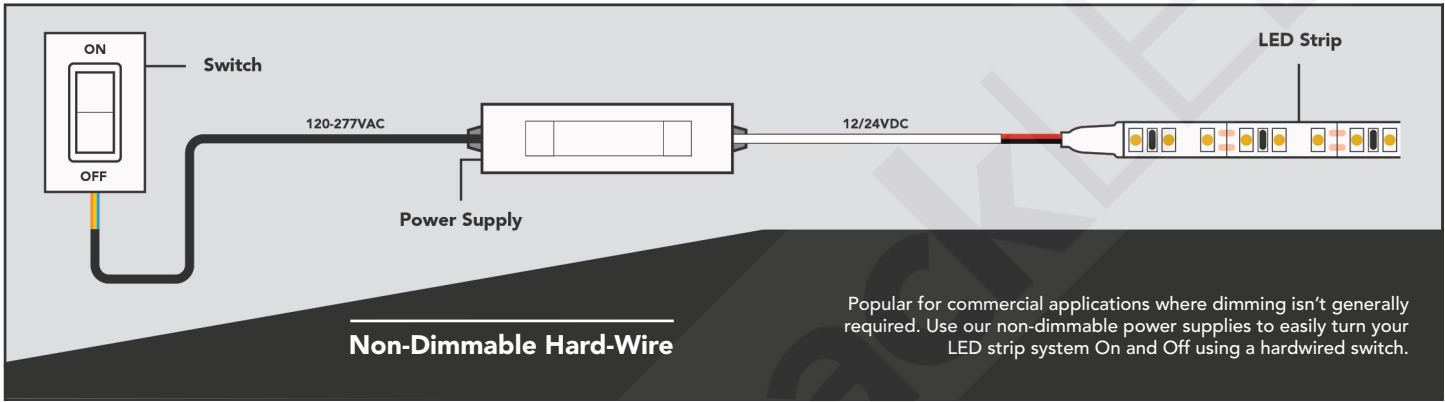
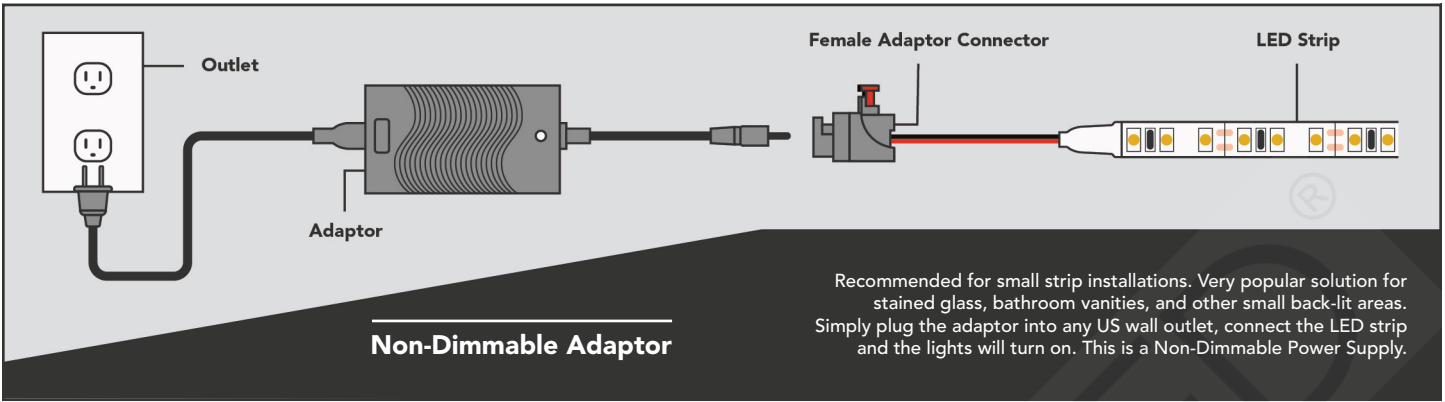
### Packaging



6" Pre-Soldered Lead

## Features

- Our **Highest Density** Strip.
- **Easy to Achieve DOTLESS** lighting in channels of ANY Depth!
- **High-Quality LED Strip!** Excellent thermal management for lasting installations.
- **UL-Listed!** (in US and Canada) Specify our strips on any commercial project!
- **Dimmable** with dimmable power supply.
- Available in a wide range of color temperatures.



All of our LED Panels require a remote power supply and/or controller to operate. Seamlessly integrate our LED Panel systems with any type of home or building automation system. Unless otherwise specified, all LED Panel systems, including power supplies and controllers are shipped to you pre-configured, to facilitate installation. Power-Supplies will come "rigged" with connectors to match the connectors coming off the LED panels. When ordering, simply give us some details about the level of control that you want, and our team will design a turn-key control system fit to meet your needs.