

## PRODUCT OVERVIEW



Designed specifically for long lasting high output linear LED lighting installations, our **24VCS30128** White LED Strip is a **GlowbackLED** Exclusive that allows you to create lasting and headache-free lighting installations right out of the package. Use the durable and permanent **3M® adhesive backing** to easily attach to your desired profile. Achieve well over 50,000 hours of useful lighting when used with one of our Aluminum Channels for High Output LED Strips to draw out the heat and protect the strips from damaging elements. **THIS LED STRIP MUST BE USED WITH AN ALUMINUM CHANNEL.** Use this versatile and highly efficient LED strip in order to achieve ultra bright linear lighting in any type of desired lighting application.

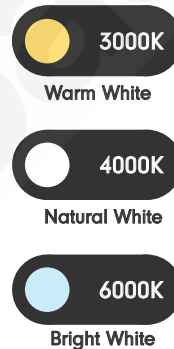
The **24V** White CS30120 LED Strip comes in a **8' 2" roll/reel** and is 0.39" (10mm) wide. 3030 LED chips are mounted on a flexible PCB every 0.32" apart. The full LED strip spool has 300 LED packed in a high-density—36 LED/ft (120/M)—configuration. The LED strip comes with (1) 6" **18-2 wire lead** with bare, tin-coated ends, for fast and reliable wire-to-wire connections. This LED Strip produces an average of **1,050 lumens/foot** and consumes an average of **7.5 Watts/ft** (60 Watts total), making it our most efficient LED strip, and the highest efficiency CV LED Strip available in the United States. Effortlessly cut this LED strip every **2.44"** (or every 8 LED chips).

### Strip Specifications

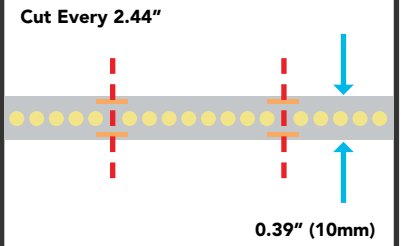
\*[XX] denotes color temperature

<b>Part#</b>	24VCS30128XX*
<b>Roll Length</b>	8'2" (98")
<b>Input Voltage</b>	24VDC
<b>Strip Width</b>	0.39" (10mm)
<b>Cut Increments</b>	Cuttable every 2.44"
<b>Color Rendering</b>	>90
<b>LED Type</b>	3030
<b>LED Density</b>	36 LED's per foot (120/M)
<b>Wattage</b>	7.5 Watts/ft
<b>Light Output</b>	1,050 Lumens/ft
<b>Efficiency</b>	140 Lumens/Watt
<b>Lifetime</b>	50,000 Hours (Average)
<b>Warranty</b>	3-Year Limited Warranty
<b>IP-Rating</b>	IP-23 (For Indoor Use Only)

### Available Colors



### Cut Points

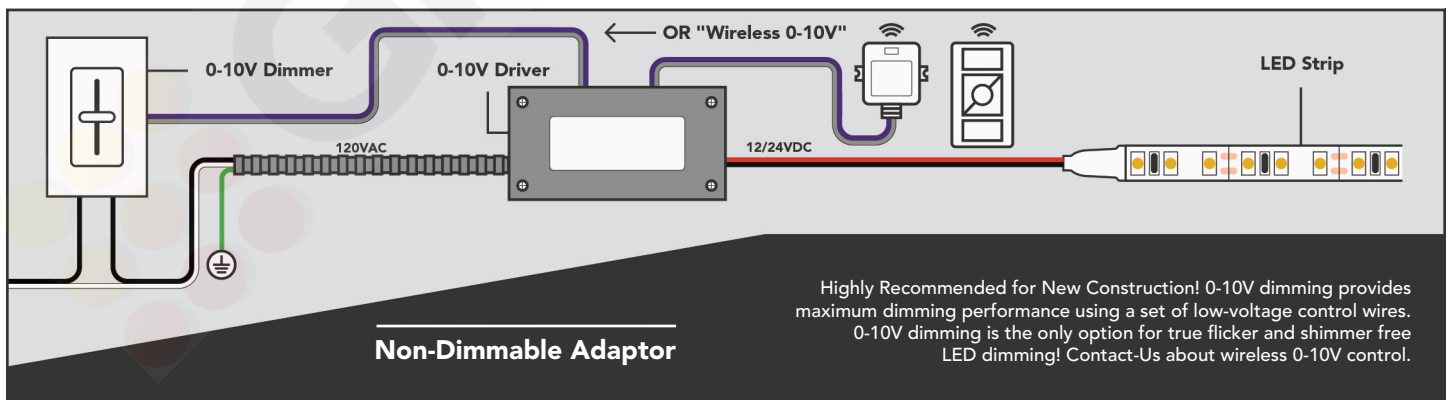
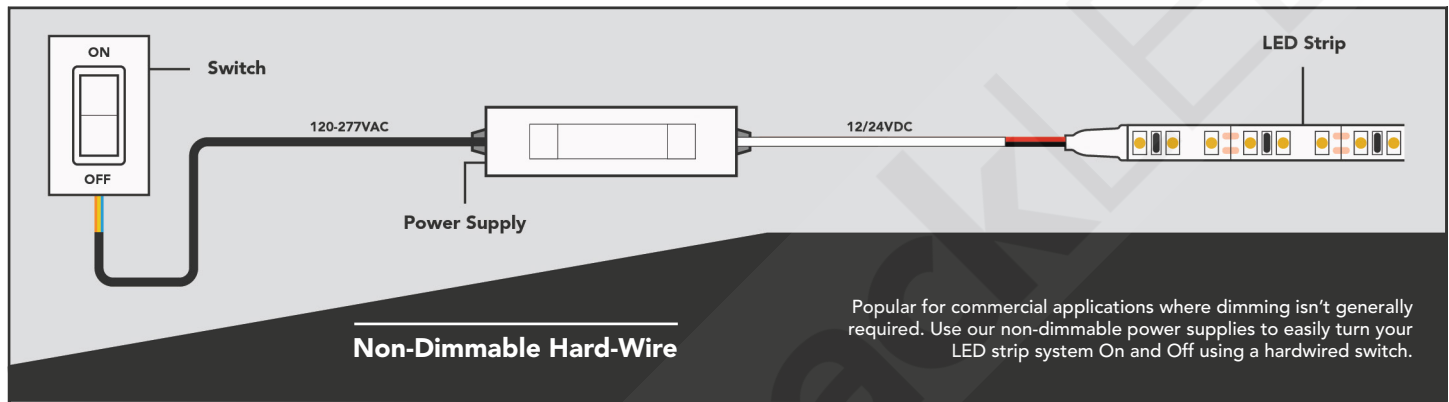
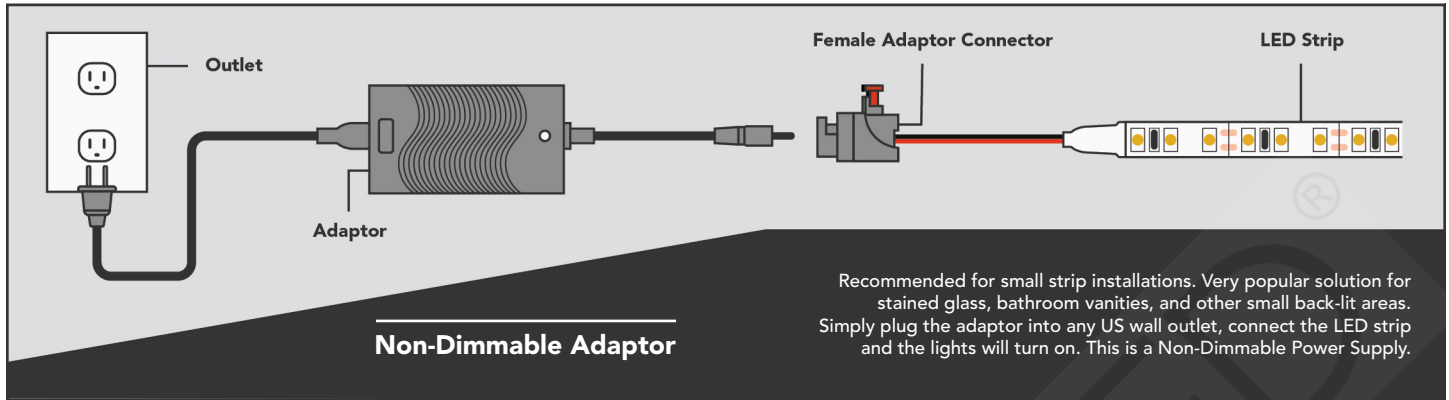


### Packaging



## Features

- **Medium Density (120/M) or 36t LED/ft configuration.**
- **High-Quality LED Strip!** Excellent thermal management for long lasting installations.
- **Highest Efficiency** LED Strip in the United States .
- **Brightest Strip** Available.
- **Dimmable** with dimmable power supply.



All of our LED Panels require a remote power supply and/or controller to operate. Seamlessly integrate our LED Panel systems with any type of home or building automation system. Unless otherwise specified, all LED Panel systems, including power supplies and controllers are shipped to you pre-configured, to facilitate installation. Power-Supplies will come "rigged" with connectors to match the connectors coming off the LED panels. When ordering, simply give us some details about the level of control that you want, and our team will design a turn-key control system fit to meet your needs.