

PRODUCT OVERVIEW



IP-65

Replacing the 4-in-1 chip package, our **Vivid-Color and True White 24V IP65 RGBW CS3596** LED Strip features a high-output white chip **separate** from an RGB chip allowing for a stronger lumen output, and ultimate efficiency that can be used **outdoors**. Create millions of different colors using the red, green, and blue chips, yet produce true, vivid white through the premium, phosphor coated white chip. Available in **RGB+2700K White**, and **RGB+6000K White** with an IP65water **resistant** rating, this strip offers maximum versatility and adaptability for projects where colored and white light are desired. Achieve a long-lasting lifetime of useful RGB and true white LED lighting when used with one of our aluminum profiles for LED strips to draw out the heat and protect the strips from damaging elements.

The **24V RGBW CS3596** LED Strip comes in a **16'5"** roll/reel and is **0.47" (12mm)** wide. **2835** and **3535** LED chips are mounted on a flexible PCB every **0.15"** apart. The full LED strip spool has about 1,200 LED chips packed in a **high-density—30 LED/ft (96/M)**—configuration. The LED strip comes with (1) **6" 18-5 wire lead** with bare, tin-coated ends, for fast and reliable wire-to-wire connections. This LED Strip produces an average of **190 lumens/ft** and consumes an average of **7 Watts/ft**. Effortlessly cut this LED strip every **2.45"** (or every 6 LED chips).

Strip Specifications	
Part#	24VCS3596IP65RGBWX*
Roll Length	16'5" (197")
Input Voltage	24VDC
Strip Width	0.47" (12mm)
Cut Increments	Cuttable every 2.45"
Color Rendering	>90 (White Light)
LED Type	2835 and 3535
LED Density	30 LED's per foot (96/M)
Wattage	7 Watts/ft
Light Output	190 Lumens/ft (White Light)
Efficiency	27 Lumens/Watt
Lifetime	50,000 Hours (Average)
Warranty	3-Year Limited Warranty
IP-Rating	IP-65 (Suitable for Outdoor Use)
Listings	UL-Listed (US and Canada)

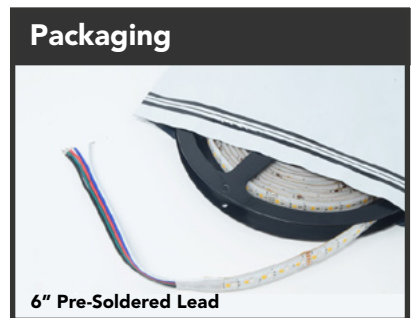
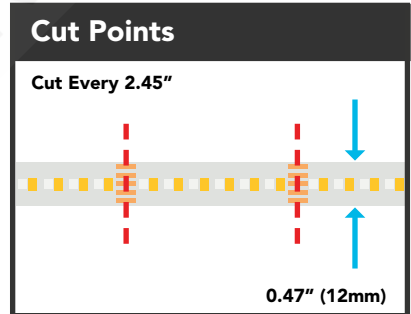
Available Colors

RGB + 2700K

Color Changing + Warm White

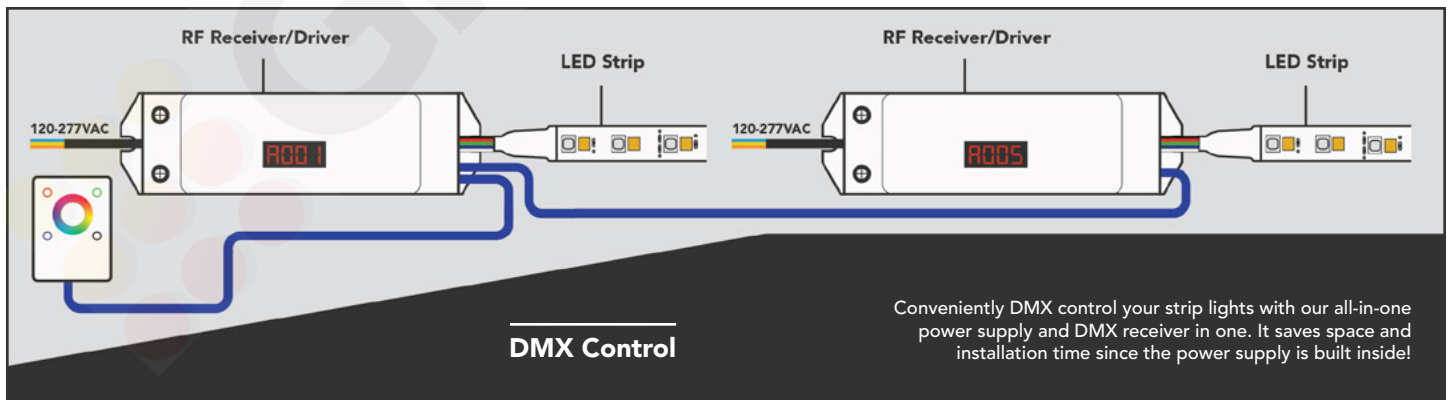
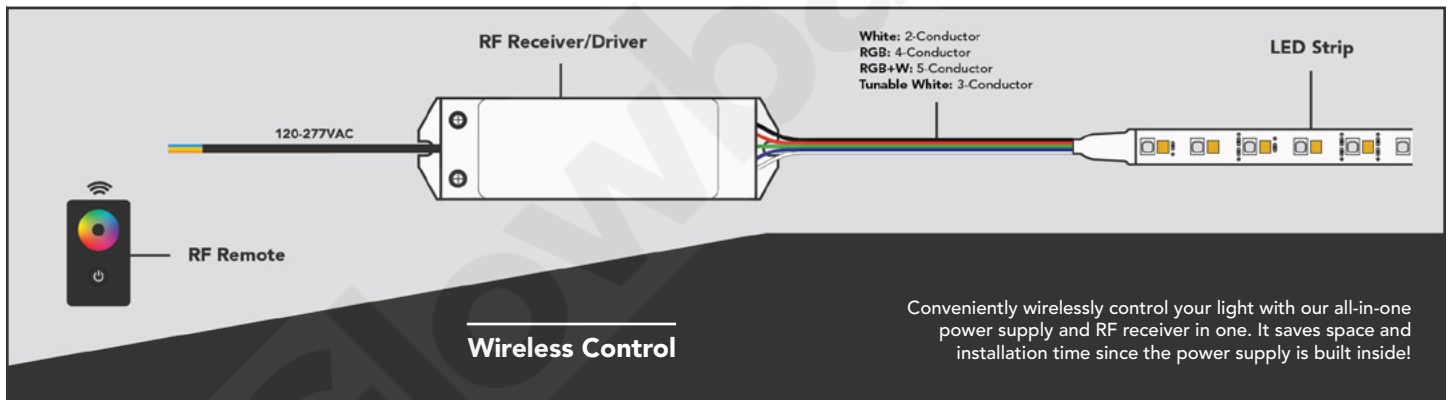
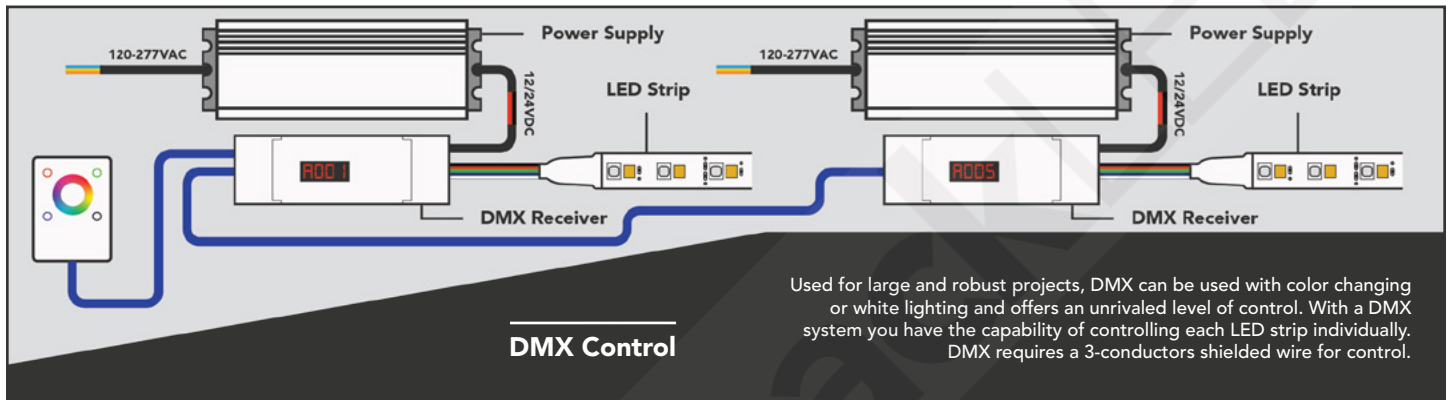
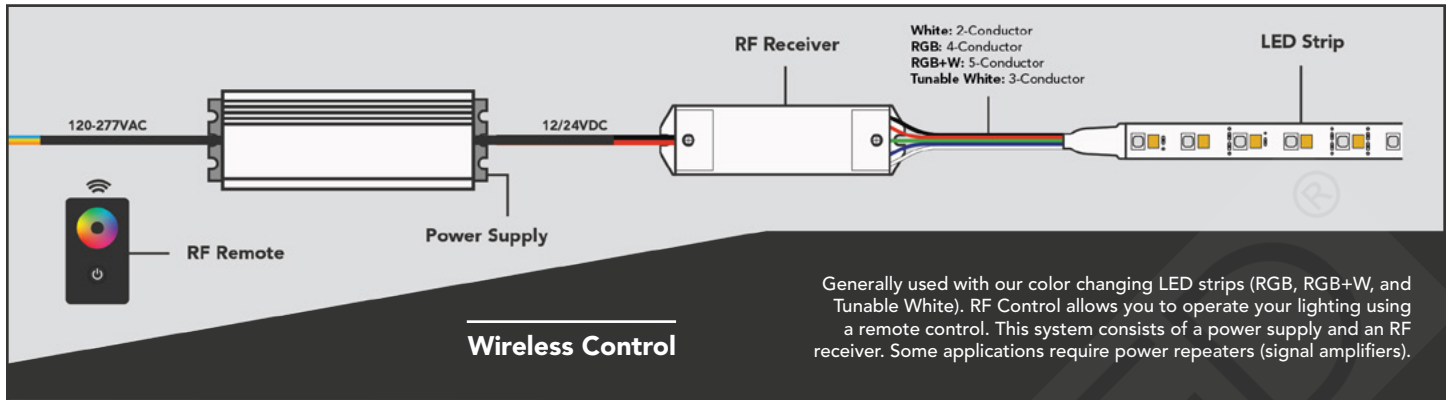
RGB + 6000K

Color Changing + Bright White



Features

- **Easy to Achieve DOTLESS RGB lighting.**
- **Create Millions of VIVID Colors using a Controller.**
- **High-Quality LED Strip!** Excellent thermal management for lasting installations.
- **UL-Listed!** (in US and Canada) Specify our strips on any commercial project!
- **IP-65 Water Resistant for Outdoor Use.**
- Two White Color Options Available.



All of our LED Panels require a remote power supply and/or controller to operate. Seamlessly integrate our LED Panel systems with any type of home or building automation system. Unless otherwise specified, all LED Panel systems, including power supplies and controllers are shipped to you pre-configured, to facilitate installation. Power-Supplies will come "rigged" with connectors to match the connectors coming off the LED panels. When ordering, simply give us some details about the level of control that you want, and our team will design a turn-key control system fit to meet your needs.