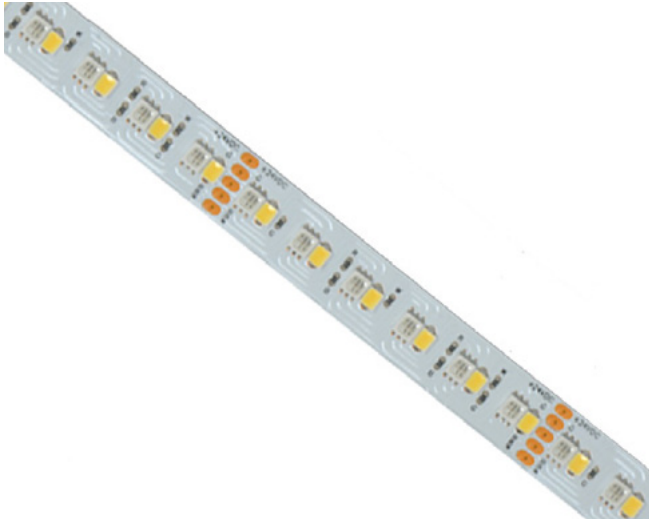


## PRODUCT OVERVIEW



Replacing the 4-in-1 chip package, our **Vivid- Color and True White 24V RGBW CS3596** LED Strip features a high-output white chip **separate** from an RGB chip allowing for a stronger lumen output, and ultimate efficiency. Create millions of different colors using the red, green, and blue chips, yet produce true, vivid white through the premium, phosphor coated white chip. Available in **RGB+2700K White**, and **RGB+6000K White**, this strip allows for versatility and use of color and white light in any application. Achieve a max LED lifetime of useful RGB and true white LED lighting when used with one of our aluminum profiles for LED strips to draw out the heat and protect the strips from damaging elements.

The **24V RGBW CS3596** LED Strip comes in a **16'5" roll/reel** and is **0.47" (12mm) wide**. **2835** and **3535** LED chips are mounted on a flexible PCB every **0.15"** apart. The full LED strip spool has about 1,200 LED chips packed in a **high-density—30 LED/ ft (96/M)**—configuration. The LED strip comes with **(1) 6" 18-5 wire lead** with bare, tin-coated ends, for fast and reliable wire-to-wire connections. This LED Strip produces an average of **190 lumens/ft** (for white light) and consumes an average of 7 Watts/ft. Effortlessly cut this LED strip every **2.45"** (or every 6 LED chips).

### Strip Specifications

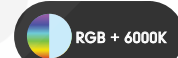
\*[XX] denotes color temperature

<b>Part#</b>	24VCS3596RGBWX*
<b>Roll Length</b>	16'5" (197")
<b>Input Voltage</b>	24VDC
<b>Strip Width</b>	0.47" (12mm)
<b>Cut Increments</b>	Cuttable every 2.45"
<b>Color Rendering</b>	>90 (White Light)
<b>LED Type</b>	2835 and 3535
<b>LED Density</b>	30 LED's per foot (96/M)
<b>Wattage</b>	7 Watts/ft
<b>Light Output</b>	190 Lumens/ft (White Light)
<b>Efficiency</b>	27 Lumens/Watt
<b>Lifetime</b>	50,000 Hours (Average)
<b>Warranty</b>	3-Year Limited Warranty
<b>IP-Rating</b>	IP-23 (For Indoor Use Only)
<b>Listings</b>	UL-Listed (US and Canada)

### Available Colors



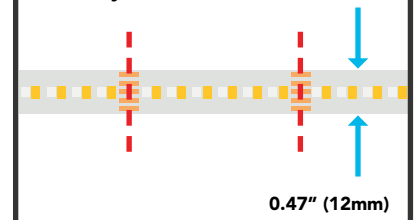
Color Changing + Warm White



Color Changing + Bright White

### Cut Points

Cut Every 2.45"



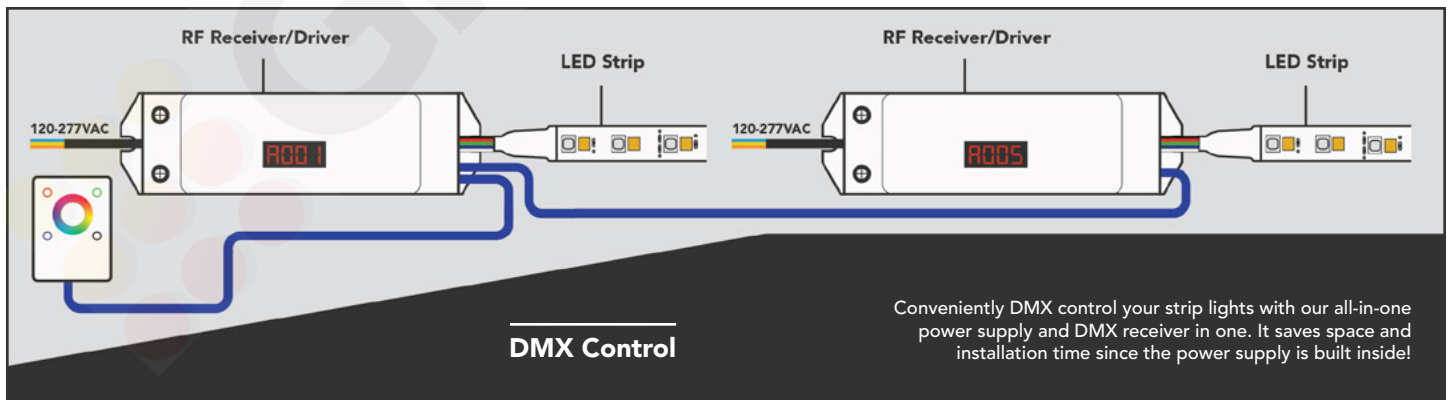
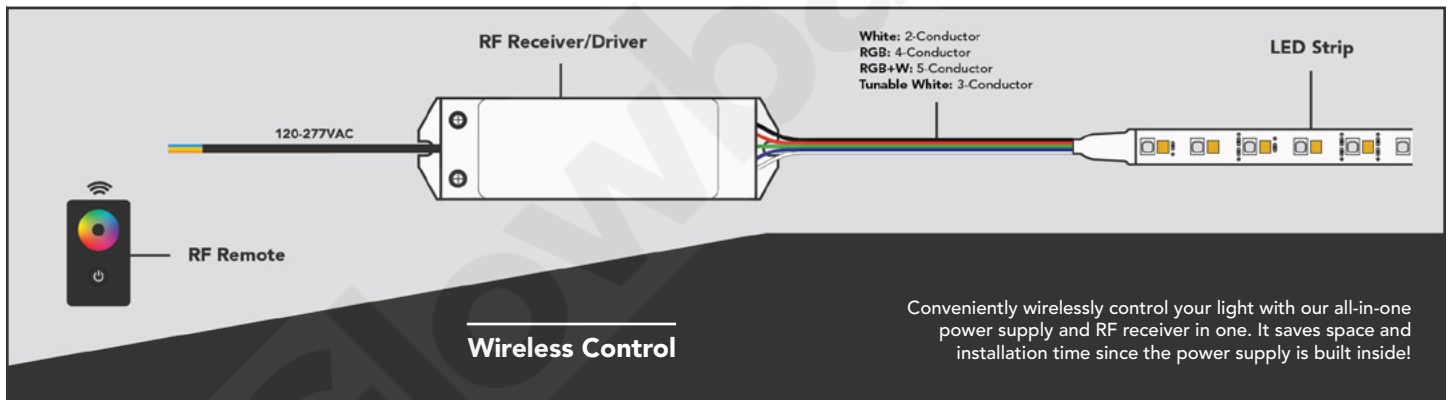
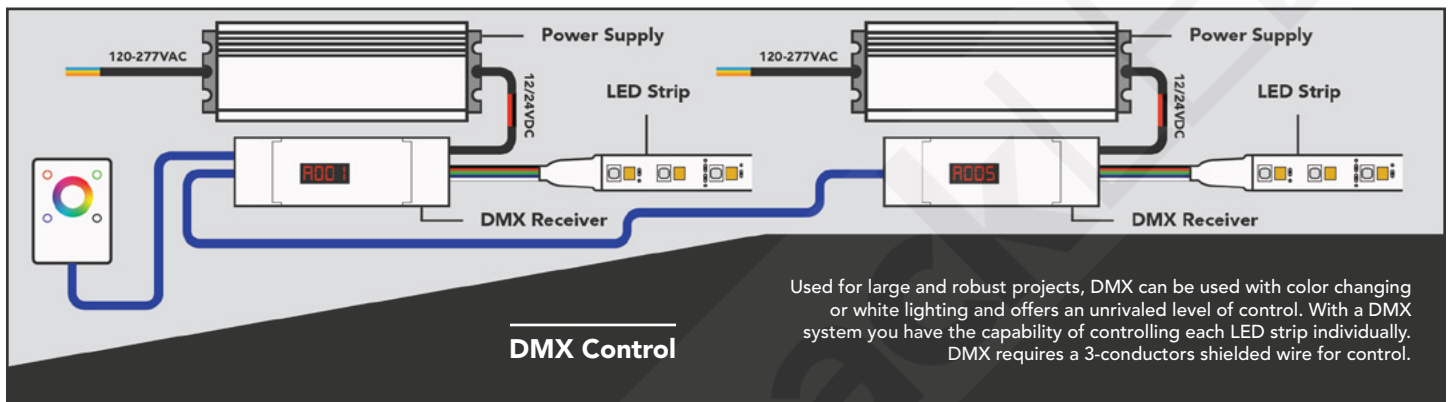
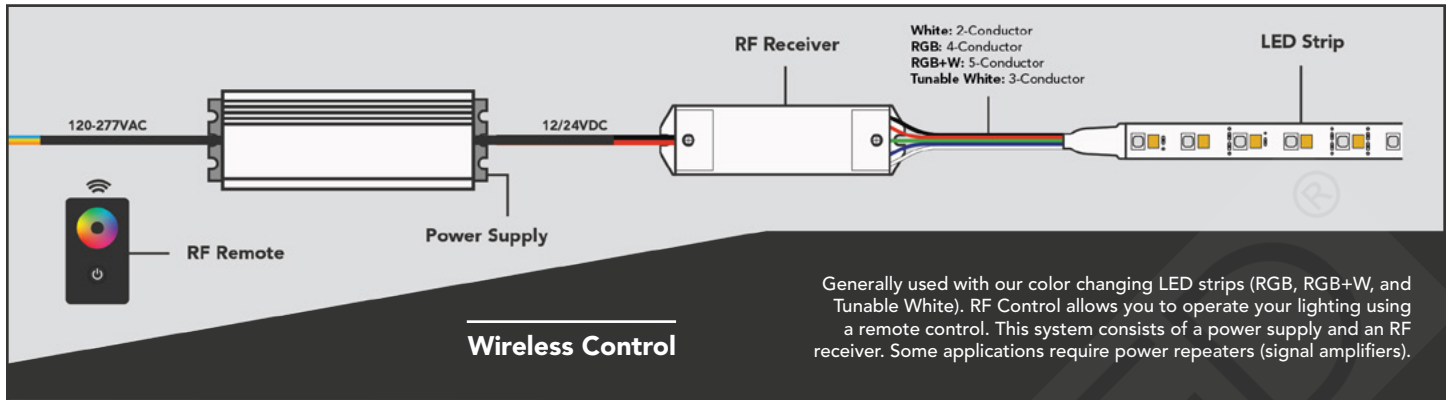
### Packaging



6" Pre-Soldered Lead

## Features

- **Easy** to achieve **DOTLESS** Colored or White lighting.
- **Create Millions of VIVID Colors using a Controller.**
- **High-Quality LED Strip!** Excellent thermal management for lasting installations.
- **UL-Listed!** (in US and Canada) Specify our strips on any commercial project!.
- **Dimmable** with dimmable power supply..



All of our LED Panels require a remote power supply and/or controller to operate. Seamlessly integrate our LED Panel systems with any type of home or building automation system. Unless otherwise specified, all LED Panel systems, including power supplies and controllers are shipped to you pre-configured, to facilitate installation. Power-Supplies will come "rigged" with connectors to match the connectors coming off the LED panels. When ordering, simply give us some details about the level of control that you want, and our team will design a turn-key control system fit to meet your needs.