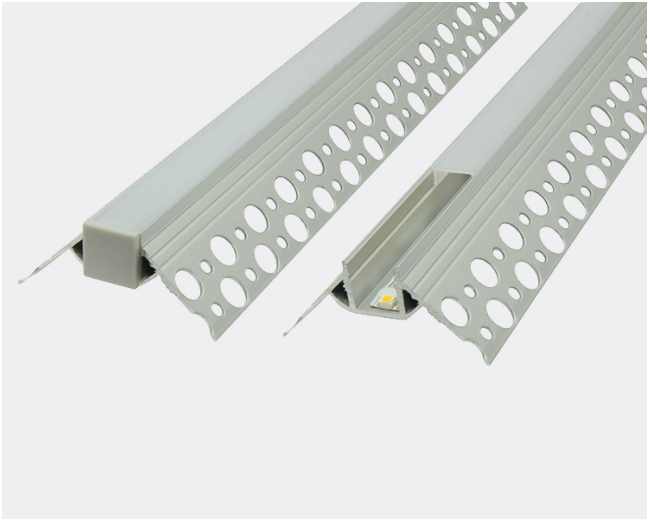


PRODUCT OVERVIEW

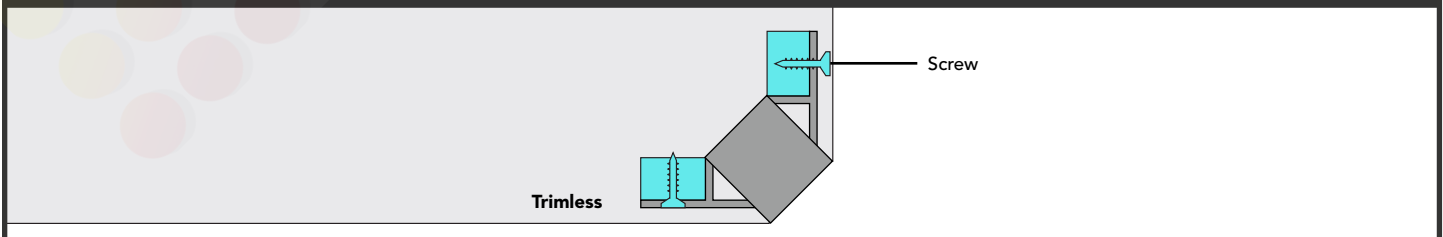


For illuminating the corners of columns or other surfaces with outer corners, our Aluminum Profile "DT13" is a perfect solution. With integrated downwards pointing plaster bead along the flanges, Aluminum profile "DT13" can be easily recessed onto any outer facing corner where two walls meet and give the corners of columns or other fixtures an integrated illuminated edge. Seamlessly plaster into any surface of at least 0.35" of depth without showing any flanges or rough finishes. Aluminum Extrusion "DT13" can accommodate any LED strip up to 0.42" (10.7mm) wide and dissipates heat from the strip, extending its longevity while also protecting it from the elements. Aluminum extrusion "DT13" is conveniently sold in 8ft lengths as a completed kit including a pair of end-caps, and one premium poly-carbonate, UV-resistant frosted lens. Order today to discretely accent your projects!

Features

- Plaster-in profile creates seamless finish.
- Upwards Facing Corner Design.
- Cuttable using any standard miter saw.
- Achieve **DOTLESS** Lighting.
- Simple Installation.
- Miami, FL facility.

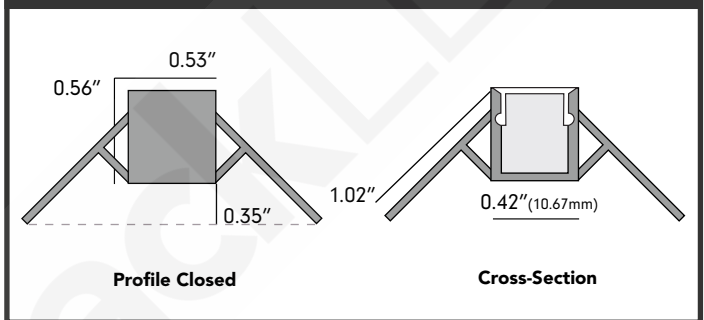
Mounting Options



Specifications

Part#	ALUMDT13-96
Length	8ft (94" for free shipping*)
Width	0.53" (13.4mm)
Height	0.56" (14.2mm)
Inner Width	0.42" (10.67mm)
Recess Cavity	0.35" (8.8mm)
Lens Type	Frosted
MAX Light	3 Watts/ft (recommended)

Dimensions



Dots

