

PRODUCT OVERVIEW



For discrete, recessed lighting in narrow spaces such as in cabinets or closets, our aluminum profile "O3" is a perfect solution. Aluminum channel "O3" can accommodate any LED strip up **0.80"** (20.3mm) wide, and properly disperse heat from the strip. The compact design allows one to easily recess this in drywall or surfaces that are 1/2" to 5/8" thick, without having to modify framing and achieving evenly diffused lighting throughout your space while adding modern architectural touch to your design. Aluminum extrusion "O3" is conveniently sold in 8 ft lengths as a completed kit including a pair of endcaps and one premium poly-carbonate, UV-resistant frosted lens. Order today to discretely accent your projects!

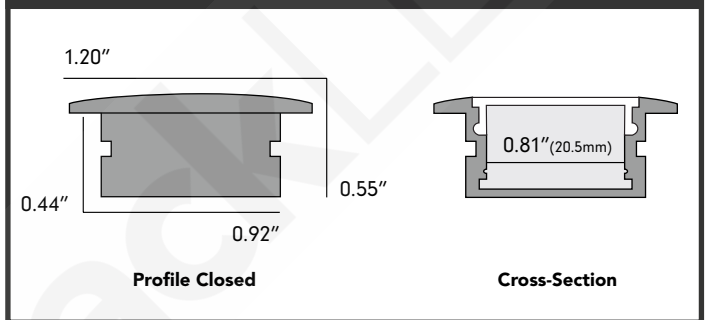
Features

- Slim, low-profile design, for discrete linear LED lighting applications.
- Easily Recessable.
- Smooth, Diffused light with PC frosted lens.
- Increases Lifetime of any LED Strip through heat dissipation.
- Protects LED Strips from water and elements.
- Reliable Aluminum Housing for LED Strips.
- Well-Stocked and ready to ship from Miami, FL.

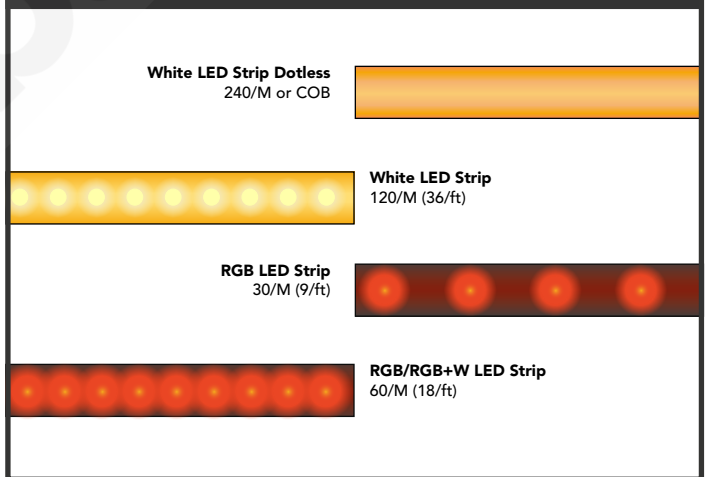
Specifications

Part#	ALUMO3R-96
Length	8ft (94" for free shipping*)
Width	0.92" (23.4mm) 1.20" w/ flange
Height	0.44" (11.2mm) 0.55" w/ flange
Recess Cavity	0.92" W x 0.44" D
Lens Type	Frosted or Clear
MAX Light	3 Watts/ft (recommended)
MAX Strip Size	0.81" (20.5mm)

Dimensions



Dots



Mounting Options

