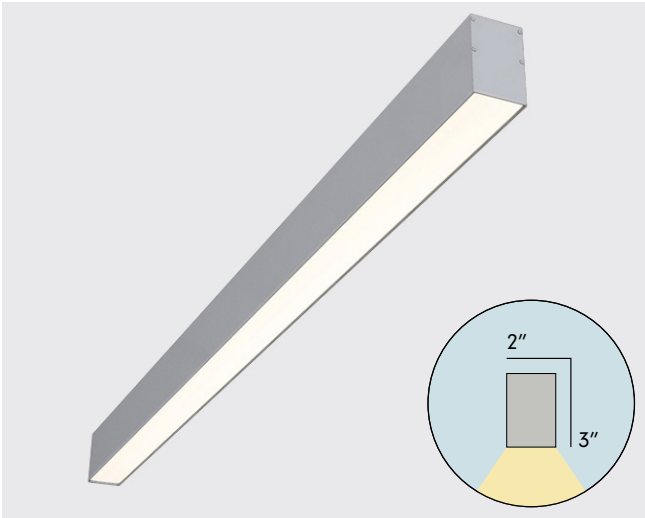


Linear LED Fixture Spec Sheet



Our **LVLBP23** is an attractive surface mounted linear light fixture available in a wide variety of finishes, sizes, and configurations. Easily mount to any ceiling or surface type using the included mounting hardware and or using other installation methods. Its **sleek** and attractive linear form makes this a perfect solution for the modern illumination of offices, retail stores, conference rooms, residences, and hotels.

Features

- 12-24VDC Input.
- **Dimmable** (Pair with Dimmable Driver).
- 80+ **CRI** Standard, 90+ available.
- 605 **lumens/ft** or 1,100 **lumens/ft**
- Suspension Kits Included!
- **Waterproof Available Upon Request.**
- Made in the **USA** Quick Ship!
- **UL-Listed.**

Typical Lumen Table		
Product Size	SO	HO
2ft	1,273 LM / 19W	1,785 LM / 25W
4ft	2,439 LM / 36W	3,420 LM / 47W
6ft	3,606 LM / 53W	5,056 LM / 69W
8ft	4,772 LM / 70W	6,692 LM / 92W

*Based on standard sizes with 4000K Color Temperature

Specifications	
Part#	LVLBP23-XX-YY-ZZ
Sizes	2ft, 4ft, 6ft, 8ft, Custom
Input Voltage	120-277 VAC
Light Output	SO: 637 Lumens/ft HO: 893 Lumens/ft
Efficiency	70 Lumens/Watt, 74 Lumens/Watt
Color Rendering	>80 CRI, >90 CRI
Environment	Suitable for Dry or Damp Locations
Warranty	5-Year
Lifetime	70,000+Hours (L-70)
Listings	UL-Listed
Dimming	0-10V Dimmable, Phase/TRIAC
Light Distribution	Down Light

*[XX] denotes color temperature

Available Colors

2200K
Amber White

2700K
Incandescent White

3000K
Warm White

4000K
Natural White

6000K
Bright White

CCT
2700K - 6000K
Tunable White

RGB + 2700K
Color Changing +
Warm White

RGB + 6000K
Color Changing +
Bright White

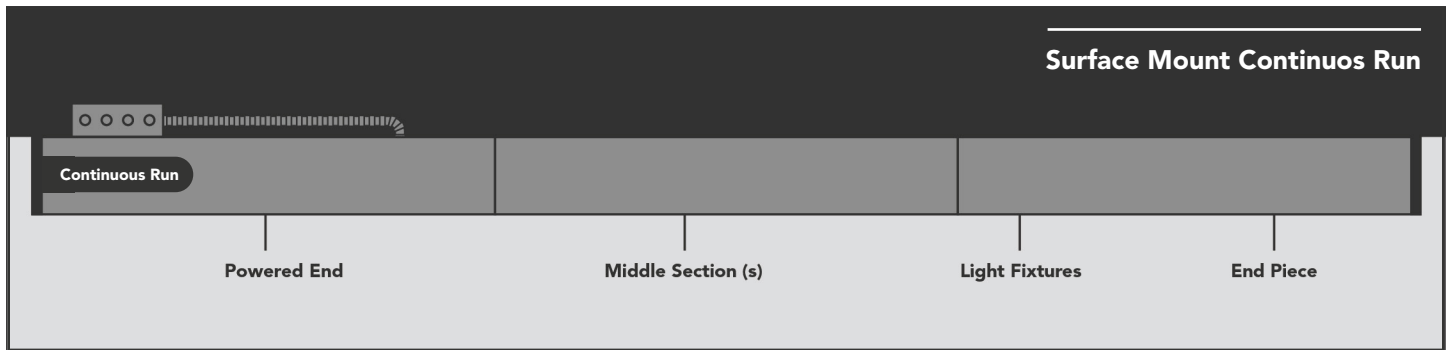
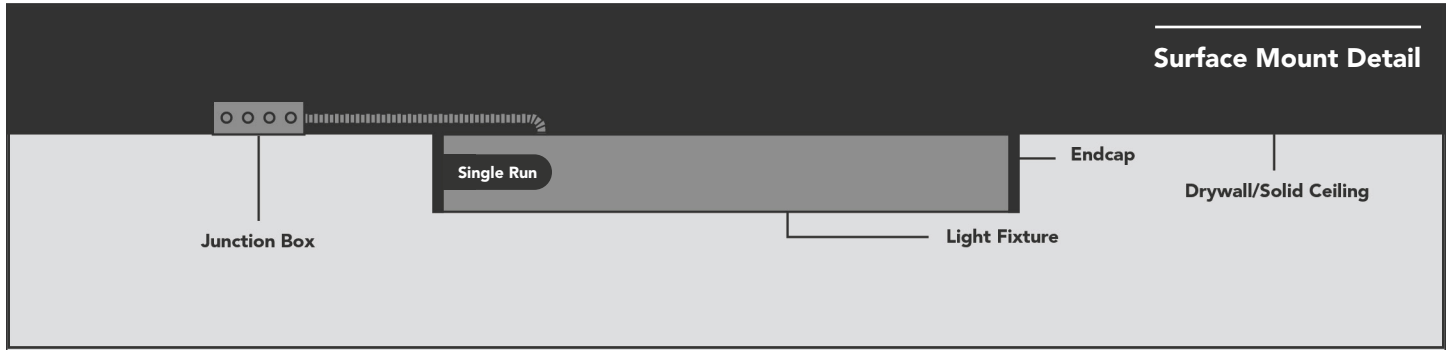
*Custom Available Upon Request

Finish Options

Standard		Satin Aluminum	Custom		Ruby Red RAL #3003		Traffic Yellow RAL #1023
		Matte Black			Bright Orange RAL #2009		Island Skye RAL #6027
		Matte White			Beige RAL #1001		Sky Blue RAL #5015

*Extended lead times for custom RAL finishes. Any RAL color can be selected in addition to the one shown

Light Distribution



***Fixtures do not include conduit, they have "knock-outs" to receive conduit**

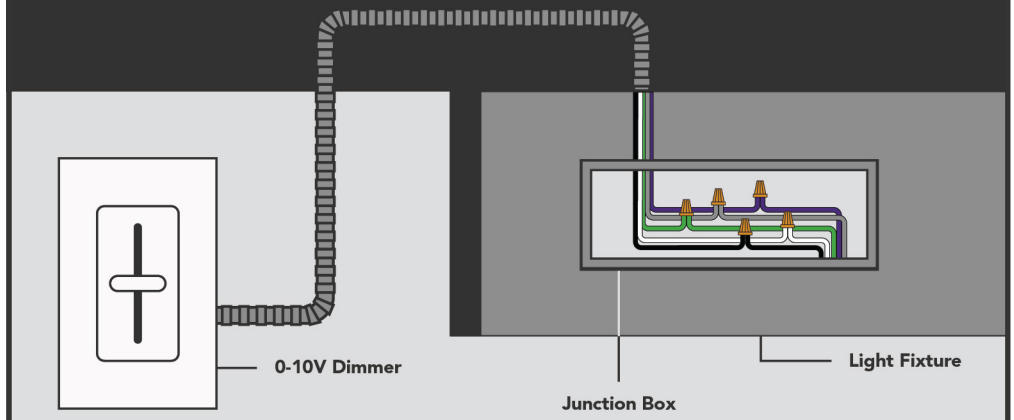
Standard Shapes			Custom Shapes				
L Configuration	Rectangle/Square Configuration	U Configuration	X Configuration	T Configuration	Hexagon Configuration	Triangle Configuration	Linear Abstract Configuration

**More custom shapes are available upon request*

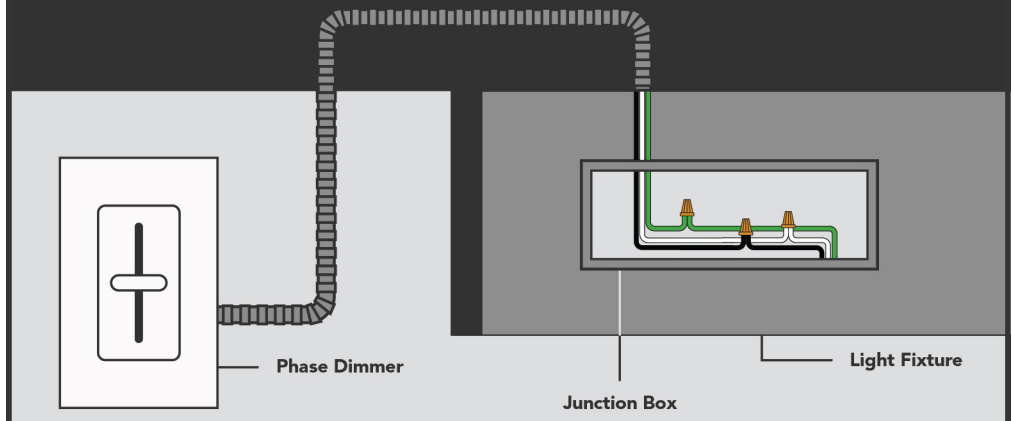
Master Product Code Builder

Prefix	LVLB
Profile	P23
Finish	
Satin Aluminum	leave blank
Matte Black	Black
Matte White	White
Custom	C
Output	
637 Lumens/ft	SO
893 Lumens/ft	HO
Size	
2ft	24
4ft	46
6ft	68
8ft	90
Custom	enter in inches
Continuous	CR
Custom Shape	CS
Color	
2200K	AW
2700K	IW
3000K	WW
4000K	NW
6000K	BW
Custom	enter CCT value
RGB+6000K	RGBW
RGB+2700K	RGBWW
Tunable White	CCT
CRI	
80+	80
90+	90
Mount Type	
Surface	S
Voltage	
12VDC	leave blank
24VDC	24
Dimming/Control	
0-10V	leave blank
Phase/TRIAC	TRIAC
DMX	DMX
Run Type	
Single	leave blank
C/R Powered End	CRP
C/R Middle	CRM
C/R End Piece	CRE
NA	leave blank
Shapes	
NA	leave blank
Standard Shape	S/S
Custom Shape	C/S

0-10V Dimmable (Standard)



Phase/Triac Dimmable



DMX Control Configuration

