

PRODUCT OVERVIEW



Manufactured exclusively for GlowbackLED, Our new **MU01024V96W** is a 24V 96W **5-1 Dimmable** LED Power Supply suitable for powering a wide range of LED strip and linear lighting products. Our **MU01024V96W** can be used with any Phase control dimmers (MLV/ELV) or 0-10V Dimmers. Unlike our older dimmable LED power supplies our **MU01024V96W** delivers flicker-free lighting which can be smoothly dimmed down to 1%. This Dimmable LED Driver features an integrated wiring compartment, allowing one to make clean connections inside of the power-supply with no need for external junction boxes. The slim and compact design makes our **MU01024V96W** an excellent solution for under-cabinet LED lighting. Last, but certainly not least, our **MU01024V96W** is UL-Listed and ready for use on any commercial LED lighting project.

Specifications

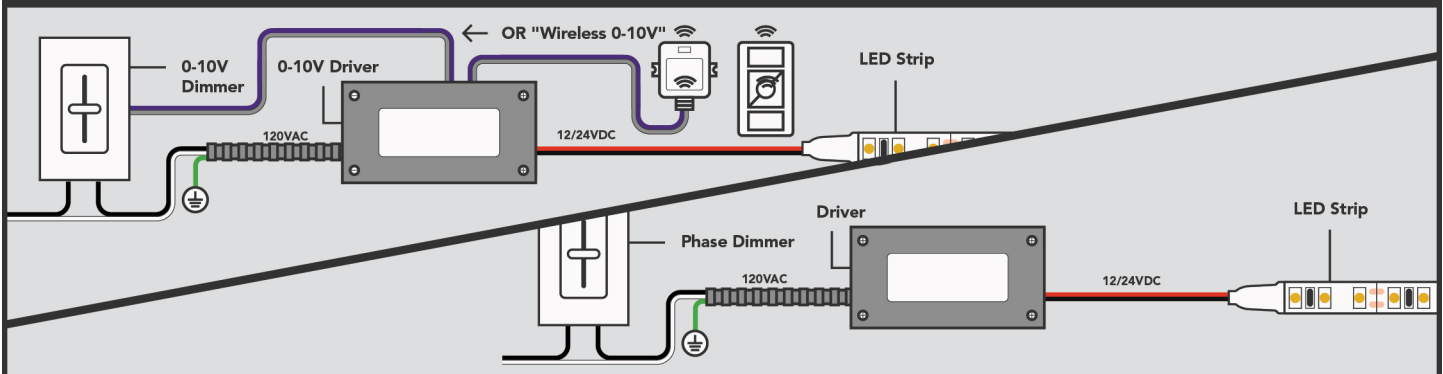
*[XX] denotes color temperature

Product Code	MU01024V96W
Dimensions	8.7" L x 3.7" W x 1.5" H
Input Voltage	100-277VAC 50/60 HZ
Output Voltage	24VDC
Output Power	96W 4A
Input Power	1.3A (MAX)
Power Factor	0.95
Dimming Type	5-1 Dimming (Phase/0 -10V)
Dimming Range	100%-1%
Minimum Load	9.6 Watts
Warranty	5-Year Limited Warranty
Environment	Indoor/Damp Location
Listings	UL-Listed Class-2 Type HL RoHs

Wire Compartment



Wiring



Features

- Flicker-Free Dimming. Achieves Consistent and Smooth Light Output.
- **Universal Dimming.** Works with any phase dimming solution. **Phase (TRIAC, MLV, ELV) or 0-10V Systems.**
- **Suitable** for use in **Dry & Damp Locations.**
- Power Cord Attached! **Plug & Play** Ready out of box.
- **Integrated Wiring Compartment:** Make **Clean** Connections inside of the power-supply instead of a junction box!
- **Slim and Compact** Design Allows for Easy Concealing.
- **UL Listed:** Approved for use on any Commercial Project.